

IN THE FOLDS

in collaboration with

Peppermint
MAGAZINE

WRAP TOP SEWING PATTERN

FEEL FREE TO HACK THIS PATTERN,
ADD TO THIS PATTERN, LOVE THIS PATTERN
AND TO MAKE IT OVER & OVER
BUT PLEASE REMEMBER THAT IT'S
FOR PERSONAL USE ONLY

HAPPY SEWING!

© Emily Hundt

PATTERN SIZE KEY

— — — — —	SIZE A
-----	SIZE B
.....	SIZE C
- . - . - . - . - .	SIZE D
.....	SIZE E
-----	SIZE F
-----	SIZE G
.....	SIZE H
—————	SIZE I
-----	SIZE J

TEST SQUARE



1 inch x 1 inch

5cm x 5cm

Did you know this sewing pattern has layers?

This means that you can select only the size/s you would like to print. Look to p 6 of the instruction booklet for more details.

	A	B	C
HIGH BUST	71cm 28"	76cm 29 ⁷ / ₈ "	81cm 31 ⁷ / ₈ "
BUST	76cm 29 ⁷ / ₈ "	81cm 31 ⁷ / ₈ "	86cm 33 ⁷ / ₈ "
WAIST	61cm 24"	66cm 26"	71cm 28"

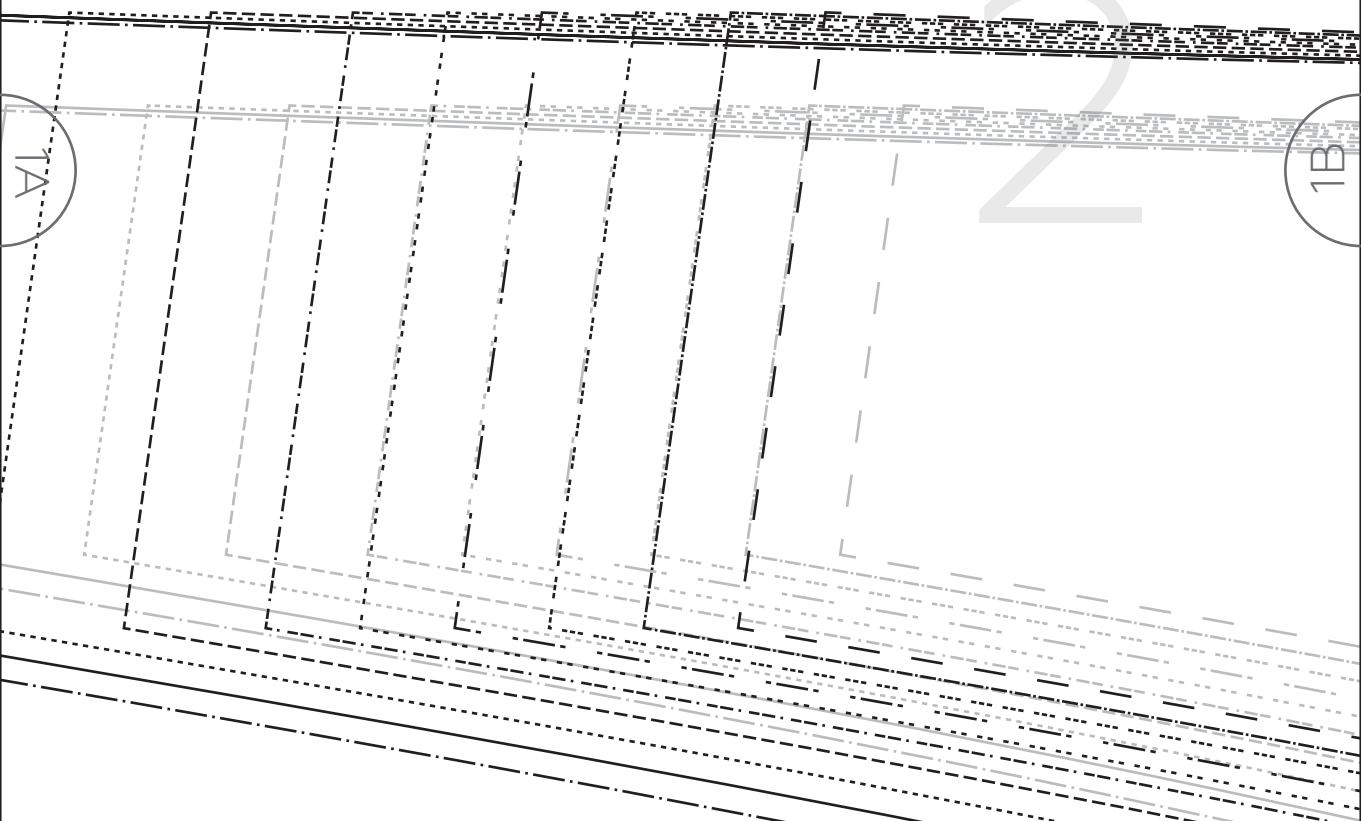
	A	B	C
BUST	99cm 39"	104cm 41"	109cm 43"
LENGTH*	51.5cm 20 ¹ / ₄ "	52.2cm 20 ¹ / ₂ "	52.8cm 20 ³ / ₄ "

* Centre back neck to hem

	A	B	C
115cm 45"	1.7m 1.9yds	1.7m 1.9yds	1.8m 2yds
150cm 60"	1.3m 1.5yd	1.4m 1.6yd	1.4m 1.6yd

Please note: due to the width of the pattern sizes G - J.

2A



BODY MEASUREMENTS

D	E	F	G	H	I	J
86cm 33 ⁷ / ₈ "	91cm 35 ⁷ / ₈ "	96cm 37 ³ / ₄ "	103.5cm 40 ³ / ₄ "	111cm 43 ³ / ₄ "	118.5cm 46 ⁵ / ₈ "	126cm 49 ⁵ / ₈ "
91cm 35 ⁷ / ₈ "	96cm 37 ³ / ₄ "	101cm 39 ³ / ₄ "	108.5cm 42 ³ / ₄ "	116cm 45 ⁵ / ₈ "	123.5cm 48 ⁵ / ₈ "	131cm 51 ⁵ / ₈ "
76cm 29 ⁷ / ₈ "	81cm 31 ⁷ / ₈ "	86cm 33 ⁷ / ₈ "	93.5cm 36 ³ / ₄ "	101cm 39 ³ / ₄ "	108.5cm 42 ³ / ₄ "	116cm 45 ⁵ / ₈ "

FINISHED GARMENT MEASUREMENTS

D	E	F	G	H	I	J
114cm 44 ⁷ / ₈ "	119cm 46 ⁷ / ₈ "	124cm 47 ⁷ / ₈ "	131.5cm 42 ³ / ₄ "	139cm 51 ³ / ₄ "	146.5cm 57 ⁵ / ₈ "	154cm 60 ⁵ / ₈ "
53.5cm 21"	54.1cm 21 ¹ / ₄ "	54.8cm 21 ¹ / ₂ "	55.7cm 21 ⁷ / ₈ "	56.6cm 22 ¹ / ₄ "	57.5cm 22 ⁵ / ₈ "	58.4cm 23"

FABRIC REQUIREMENTS

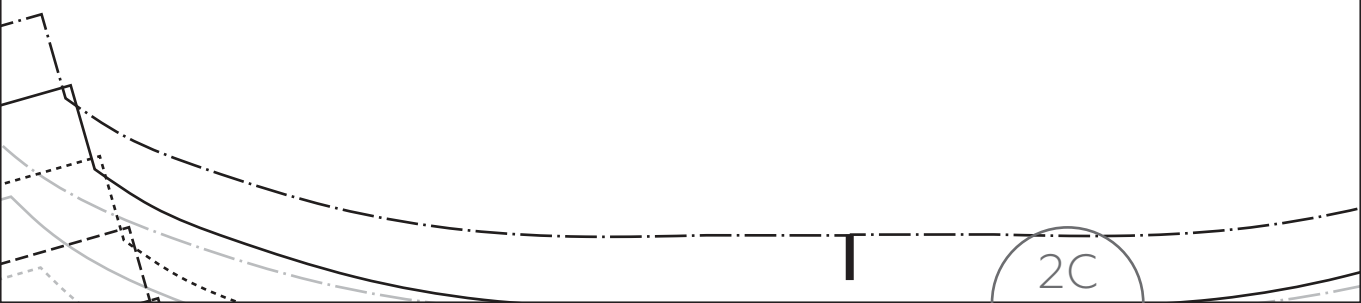
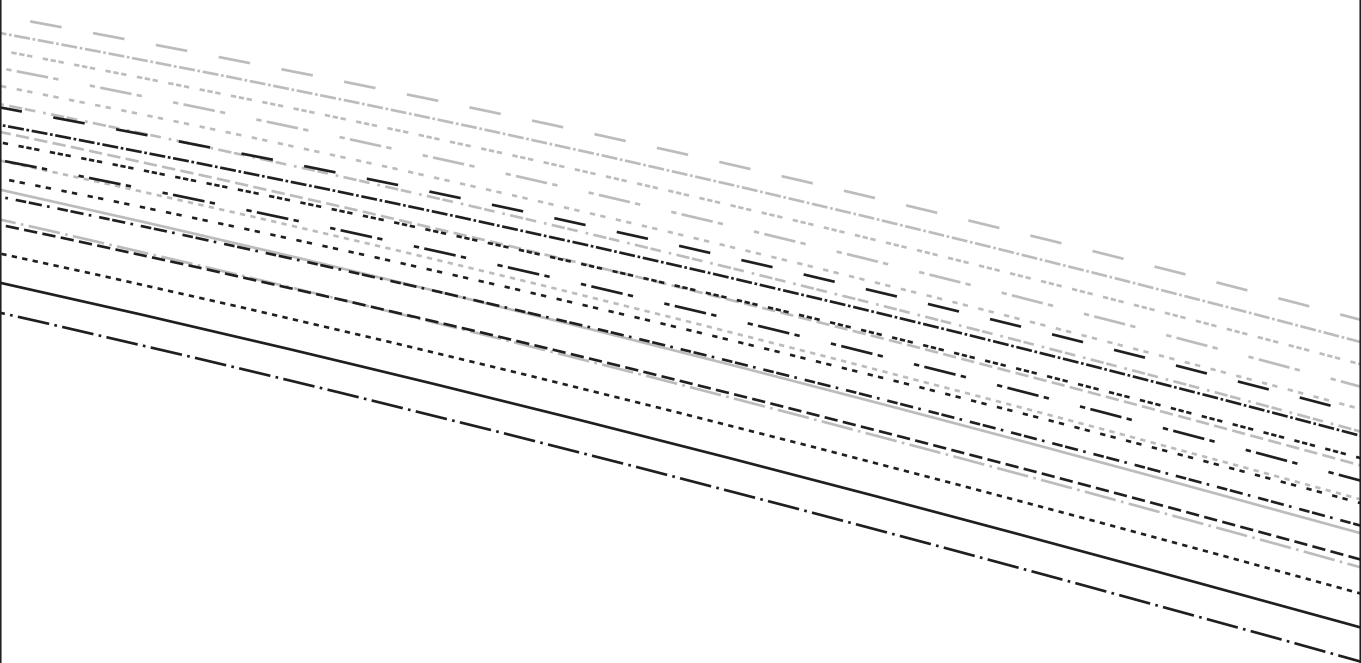
D	E	F	G	H	I	J
1.8m 2yds	1.8m 2yds	1.9m 2.1yds	-	-	-	-
1.5m 1.7yds	1.5m 1.7yds	1.6m 1.8yds	1.6m 1.8yds	1.7m 1.9yds	1.7m 1.9yds	1.8m 2yds

pieces, you will need to use 150cm (60in) wide fabric (or wider) for



1B

1C

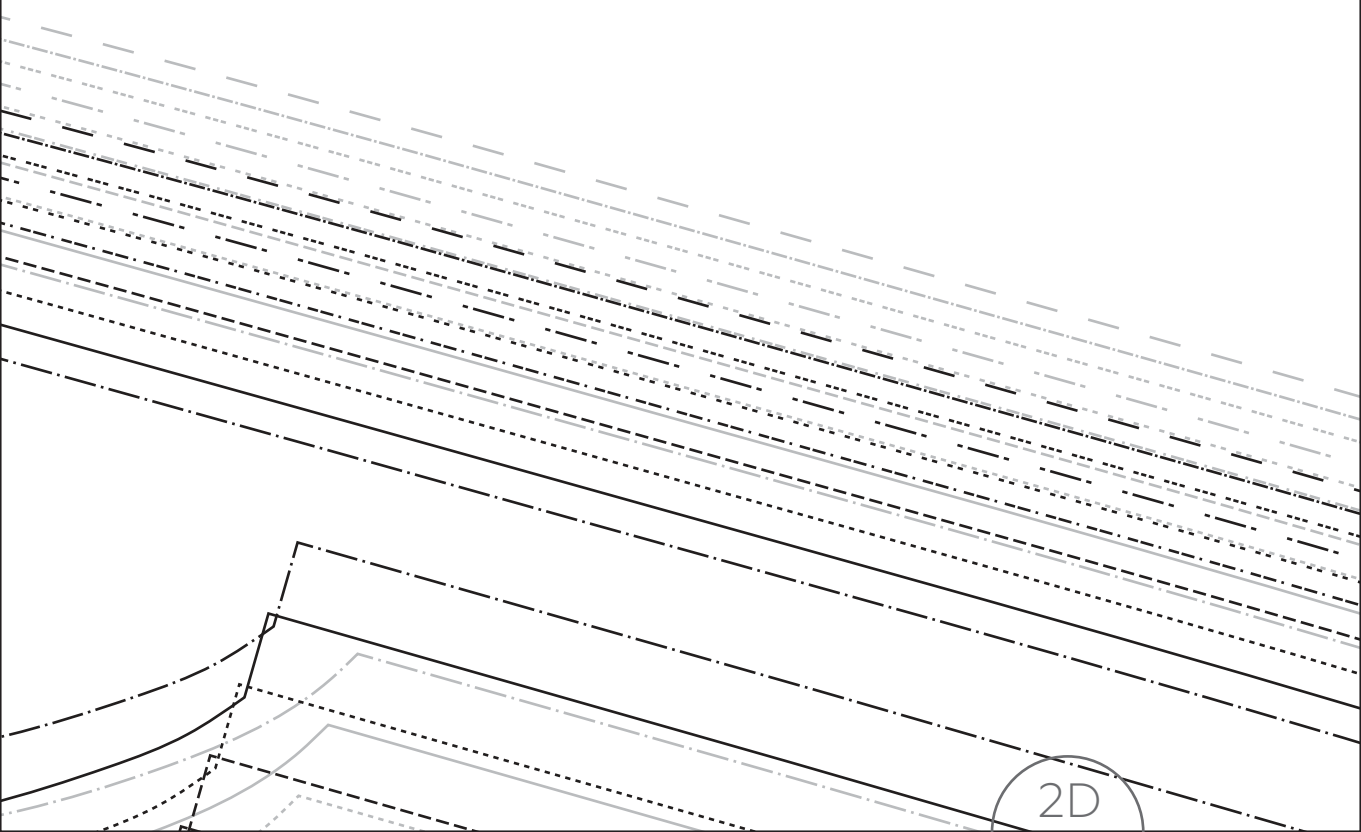


2C

4

1C

1D

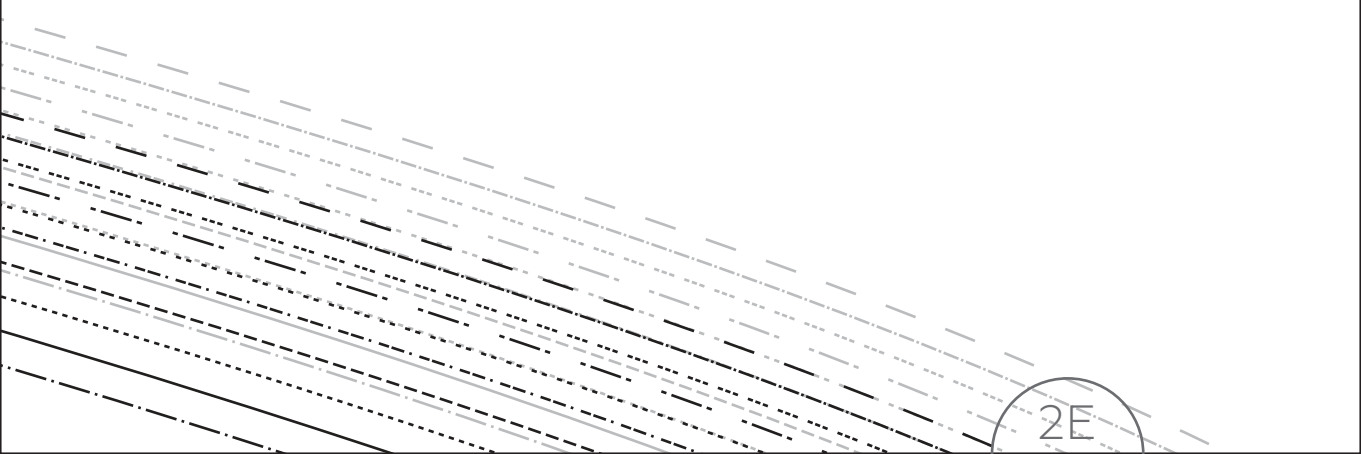


2D

5

1D

1E



2E

6

1F

1E

1

CUT 1 PAIR

FRONT

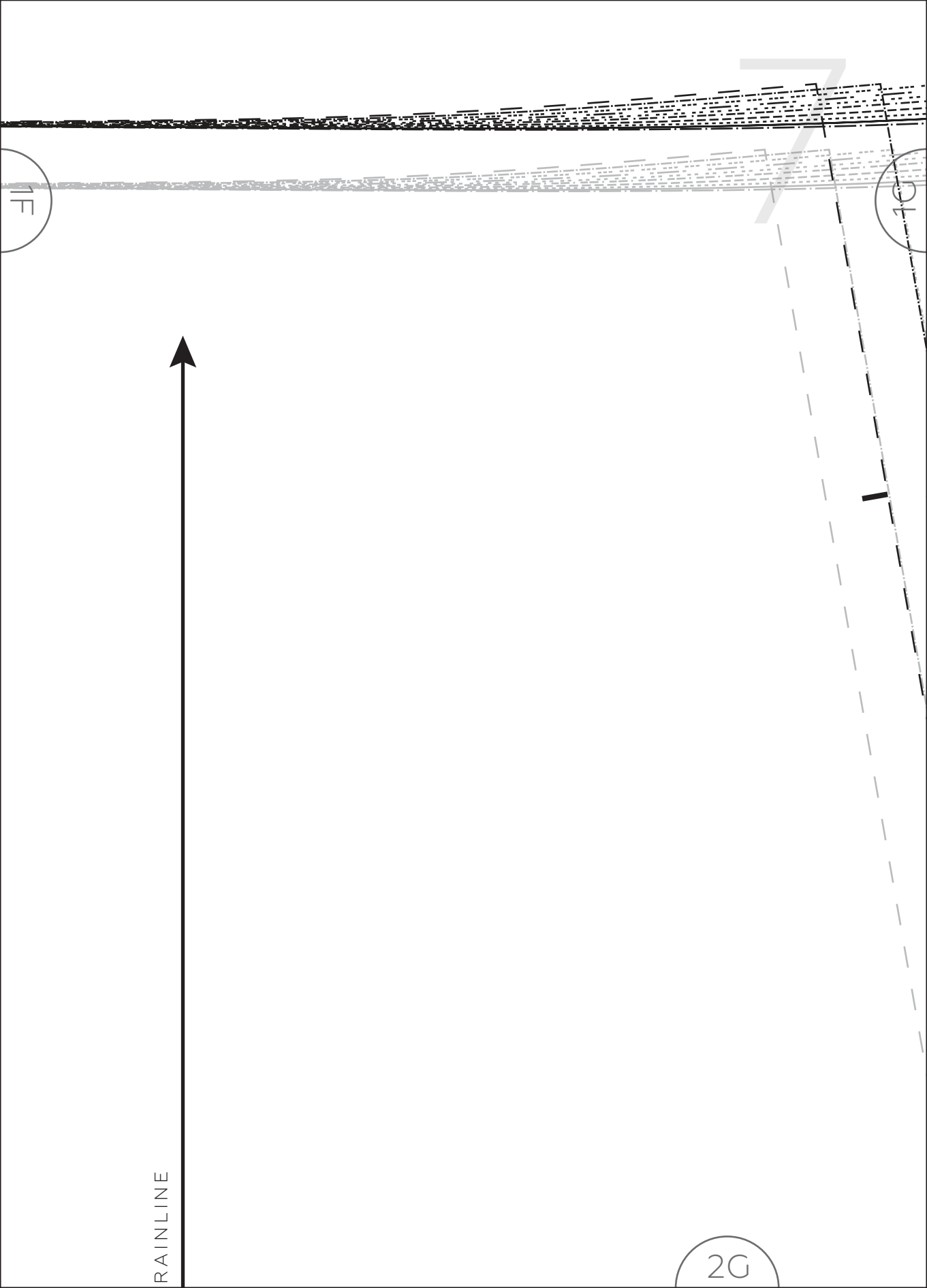
WRAP TOP

Peppermint
MAGAZINE

in collaboration with

IN THE
FOLDS
/

2F



RAINLINE

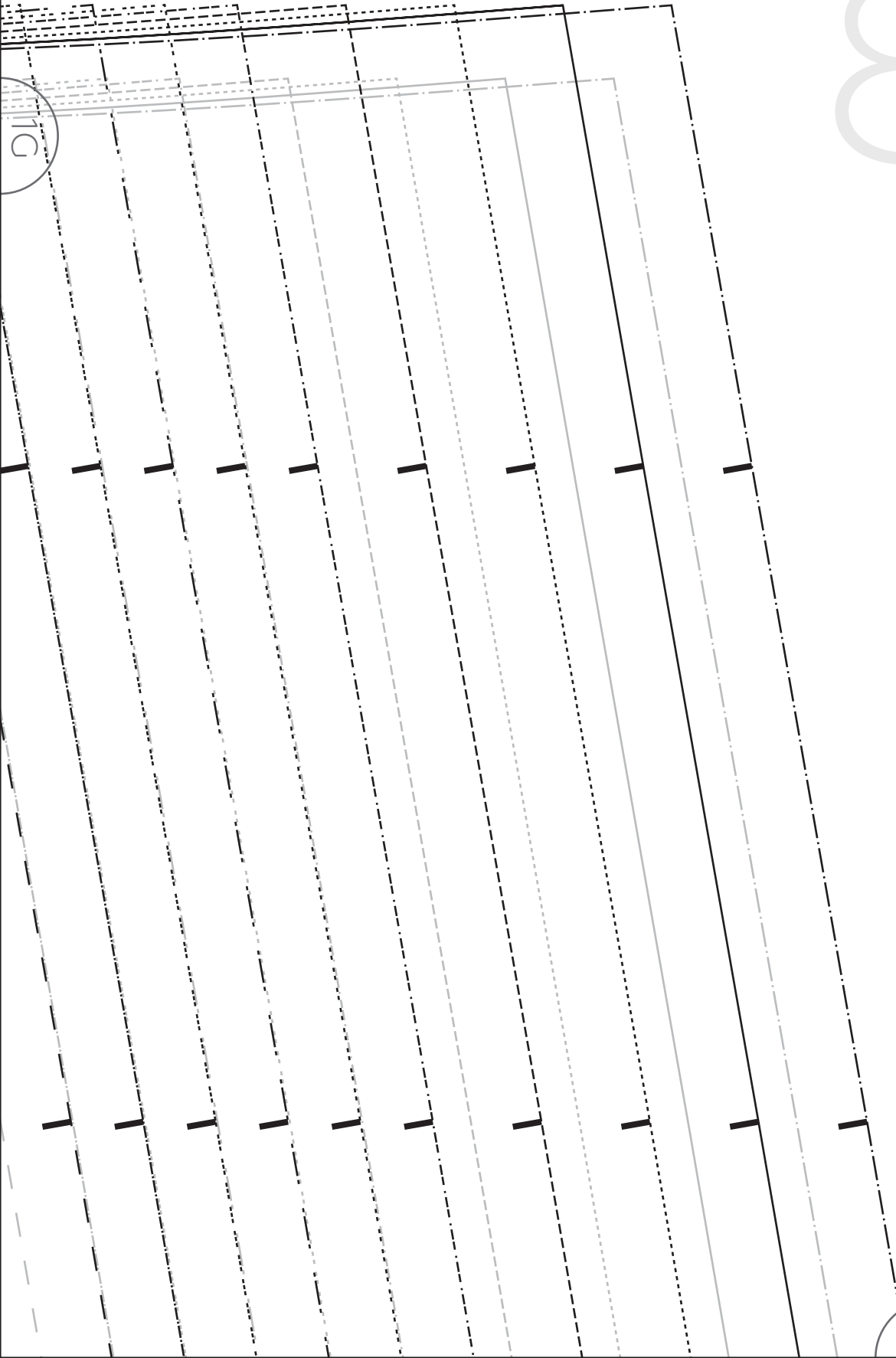
2G

π

τ

7

8












1G

2H

We're super excited to bring you these patterns in partnership with the lovely people at The Fabric Store. With a passion for all things sewing, they stock an incredible range of fabrics – think quality linen, silk, cotton, merino and even leather – at their Sydney, Melbourne, Brisbane and New Zealand stores, as well as a small selection online.

The Fabric Store

PATTERN SYMBOL KEY

-  NOTCH
-  DOUBLE NOTCH
-  DRILL HOLE
-  BUTTON HOLE
-  CUTTING LINE
-  STITCH LINE
-  GRAINLINE
-  PLACE PATTERN ON FOLD
-  LENGTHEN / SHORTEN LINE

PLEASE NOTE:
SEAM ALLOWANCES ARE INCLUDED
AND ARE 1.2cm (½") UNLESS
OTHERWISE STATED

SHARE YOUR MAKES



#peppermintwaptop

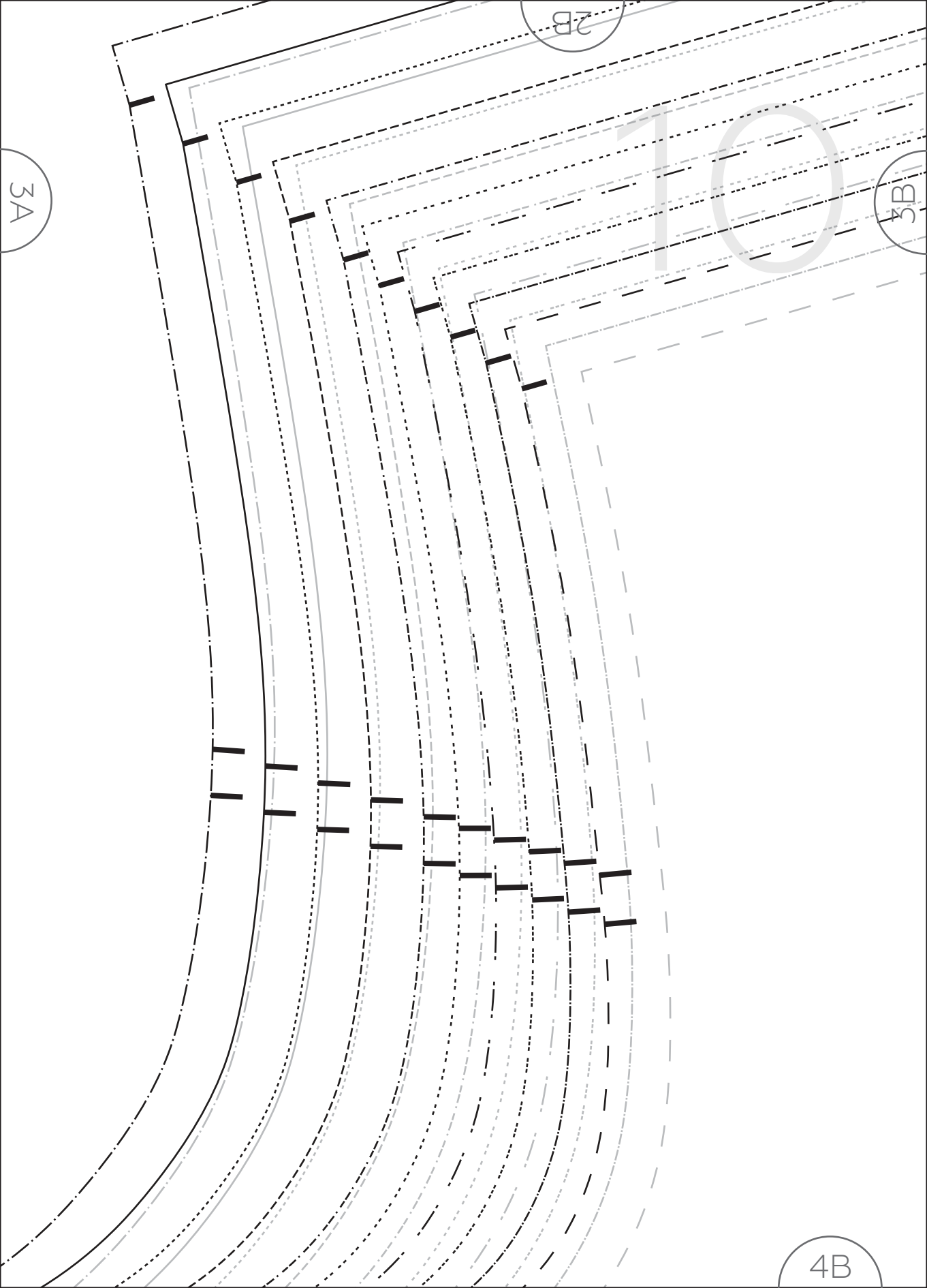
Tag us
@inthefolds
@peppermintmagazine

2A

9

3A

4A

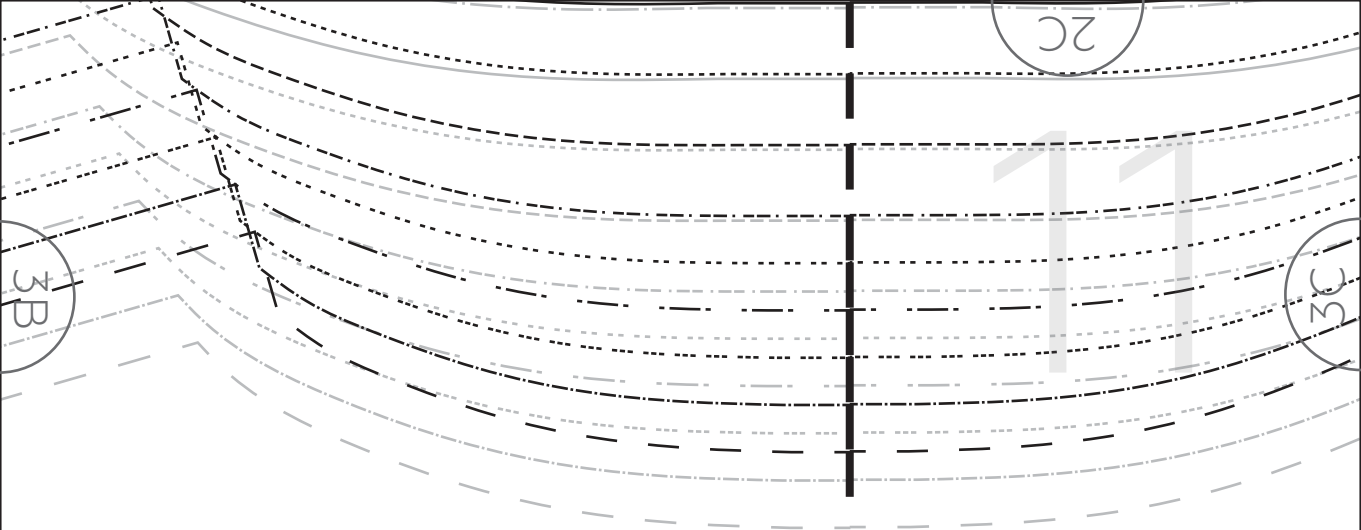


3A

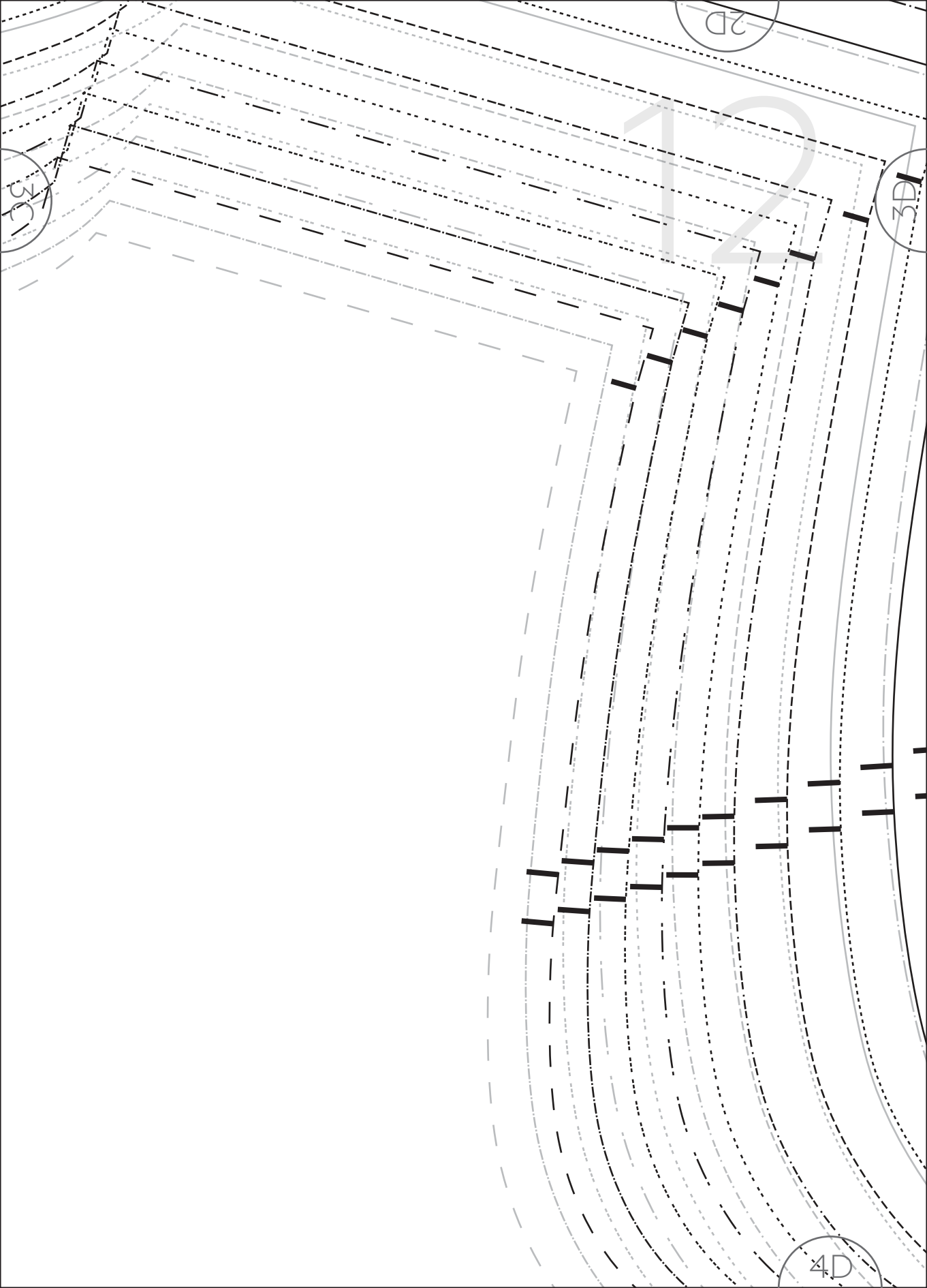
2B

3B

4B



4C



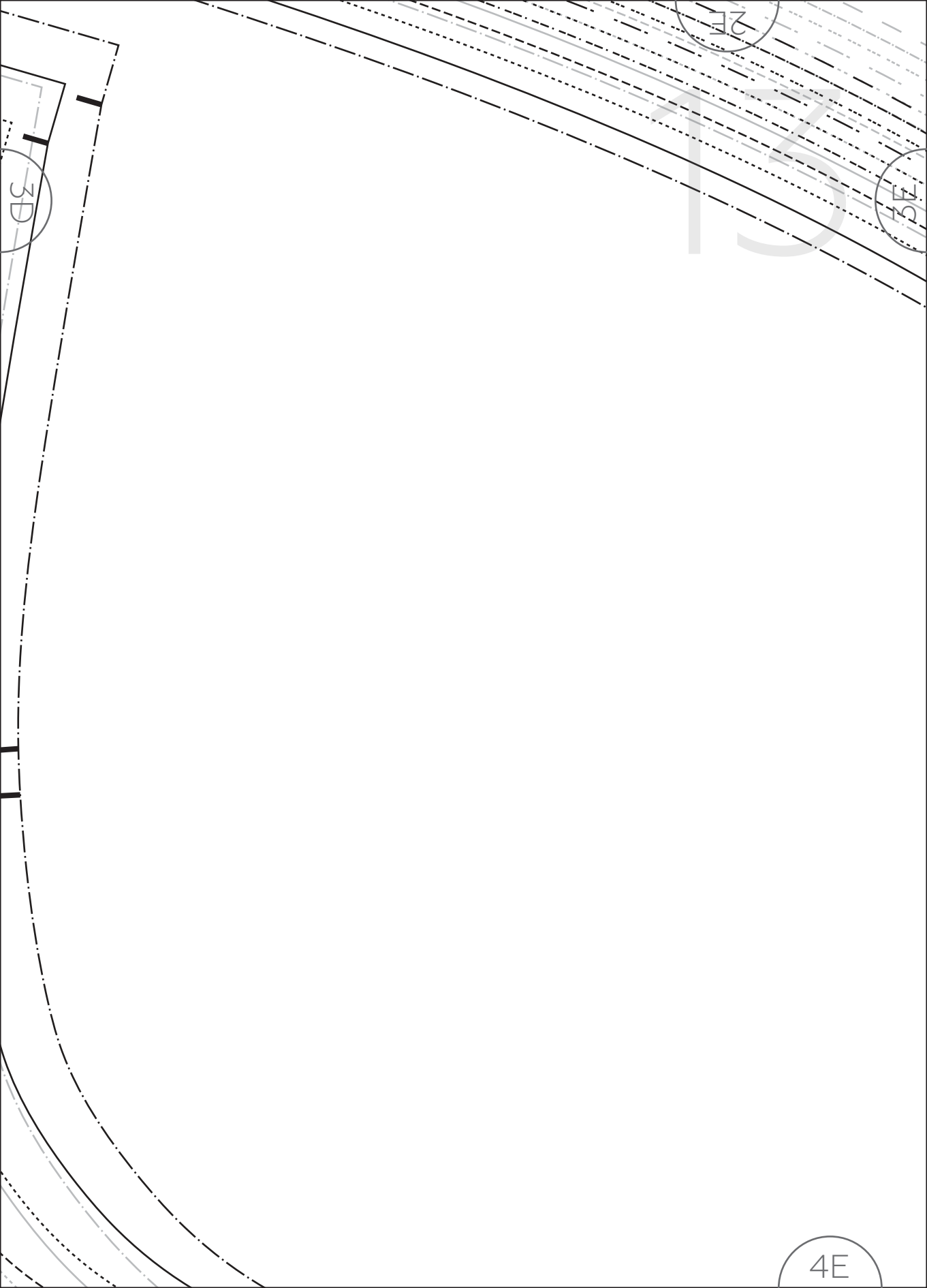
2D

12

3D

3C

4D



2E

3E

3D

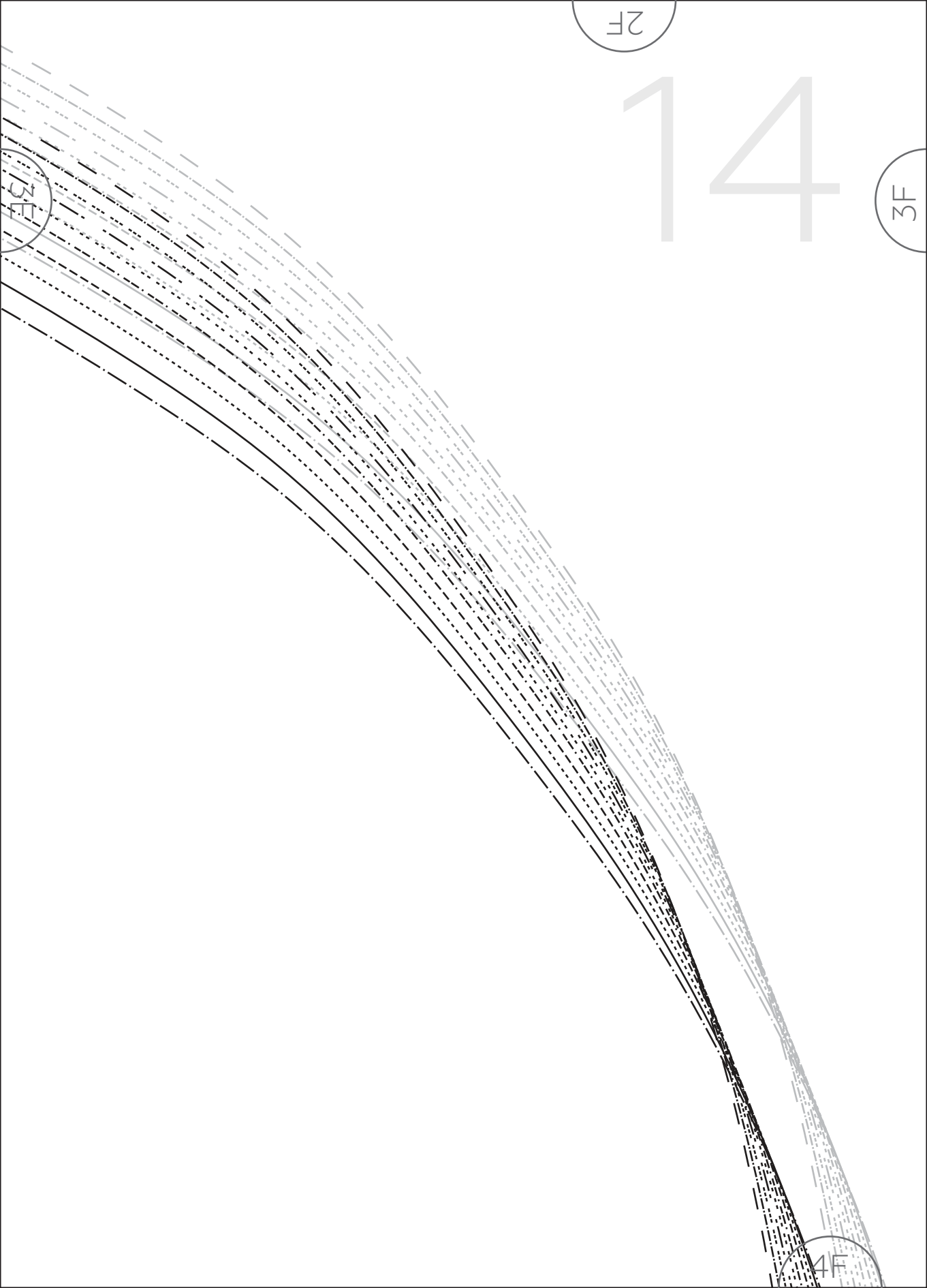
4E

2F

14

3F

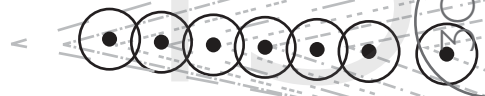
3F



4F

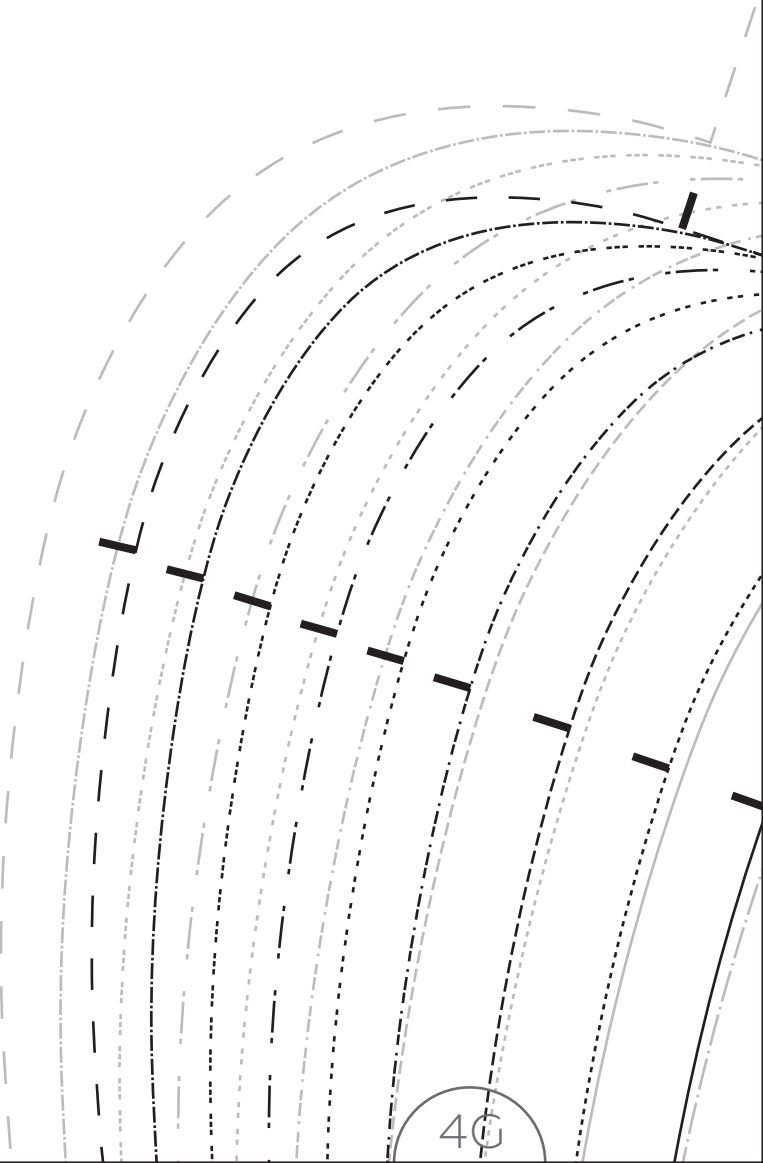
2C

15



2C

3F



4C

2H

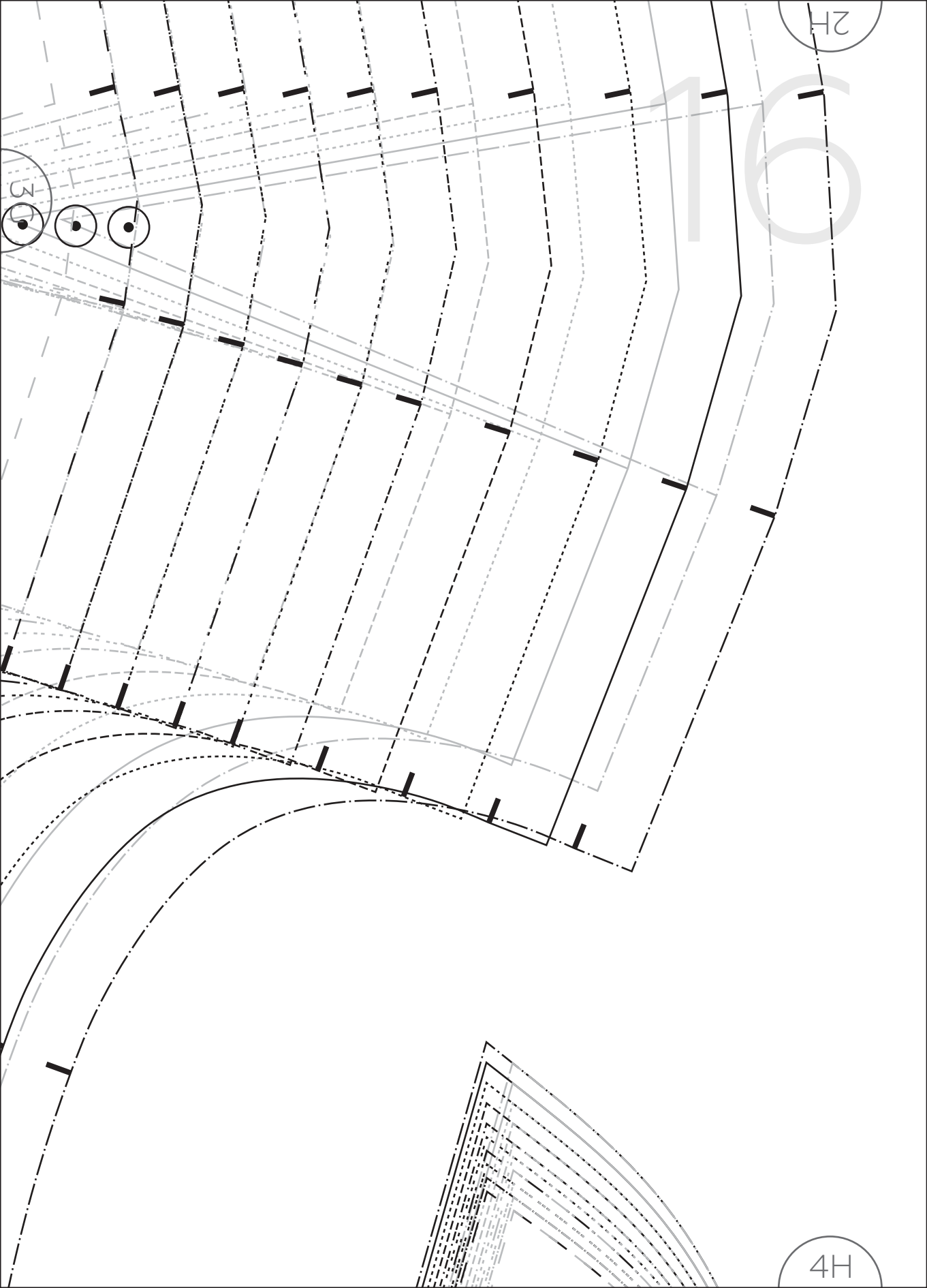
16

3H

4H

5H

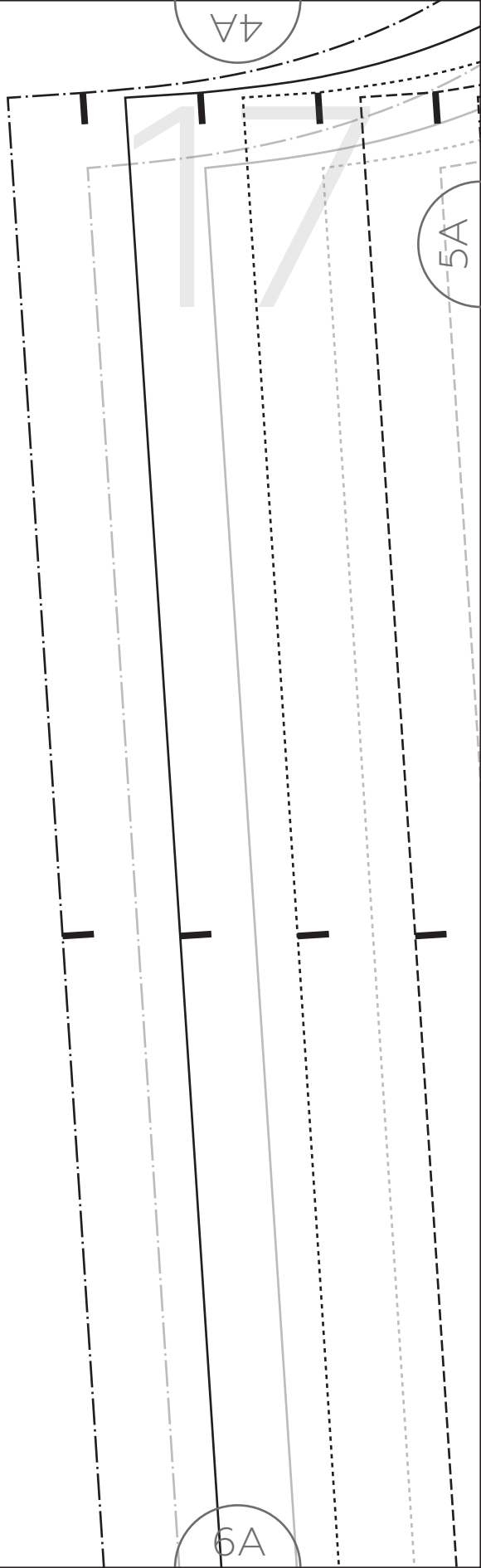
4H



4A

5A

6A



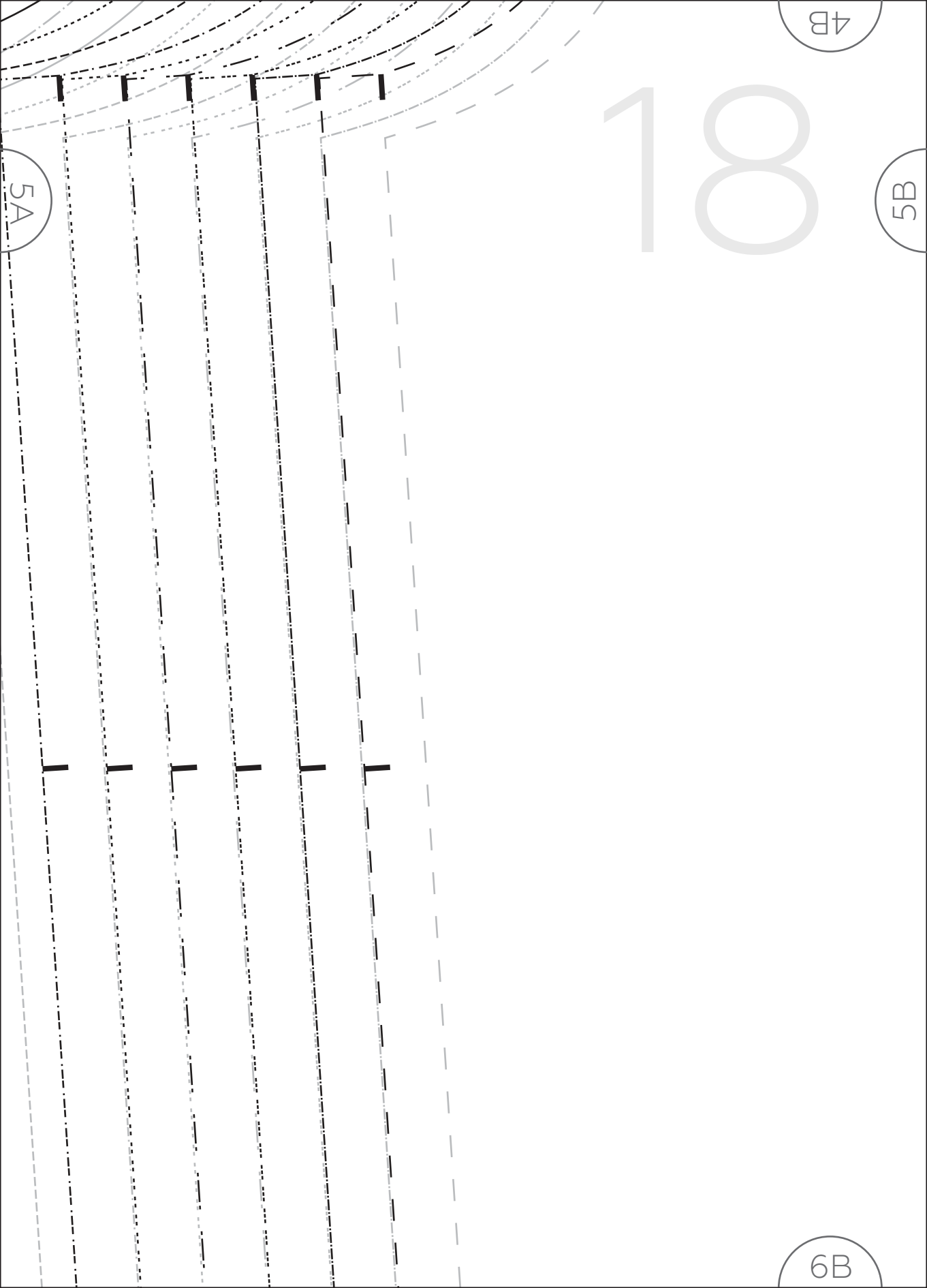
4B

5B

6B

18

5A



4C

5C

6C

6

GRAINLINE (CENTRE BACK)

5B

IN THE FOLDS

in collaboration with

Peppermint
MAGAZINE

WRAP TOP

BACK

CUT 1

3

20

5C

4D

5D

6D



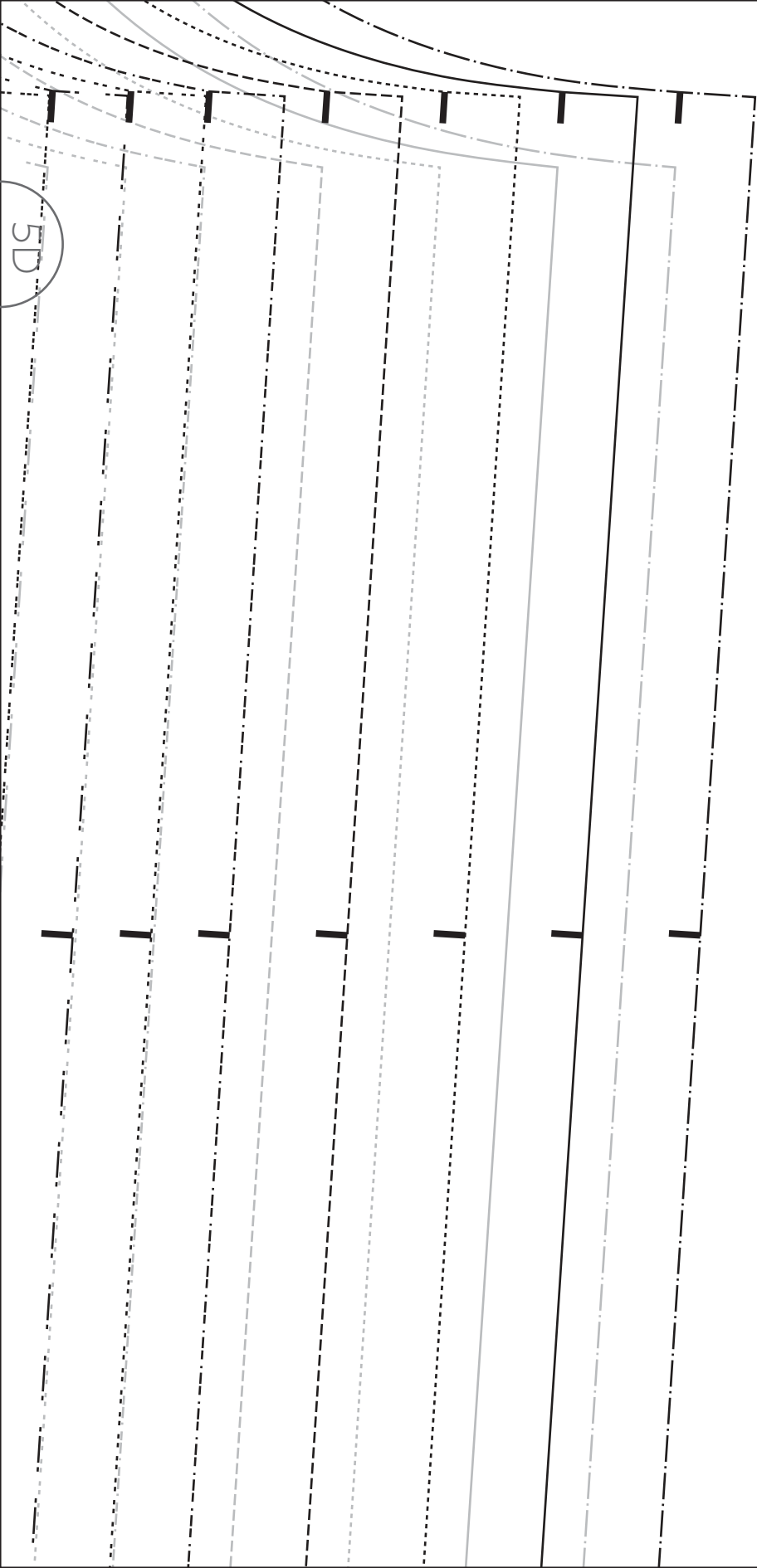
4E

5E

6E

21

5D



5E

22

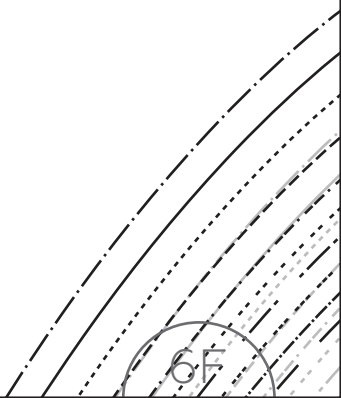


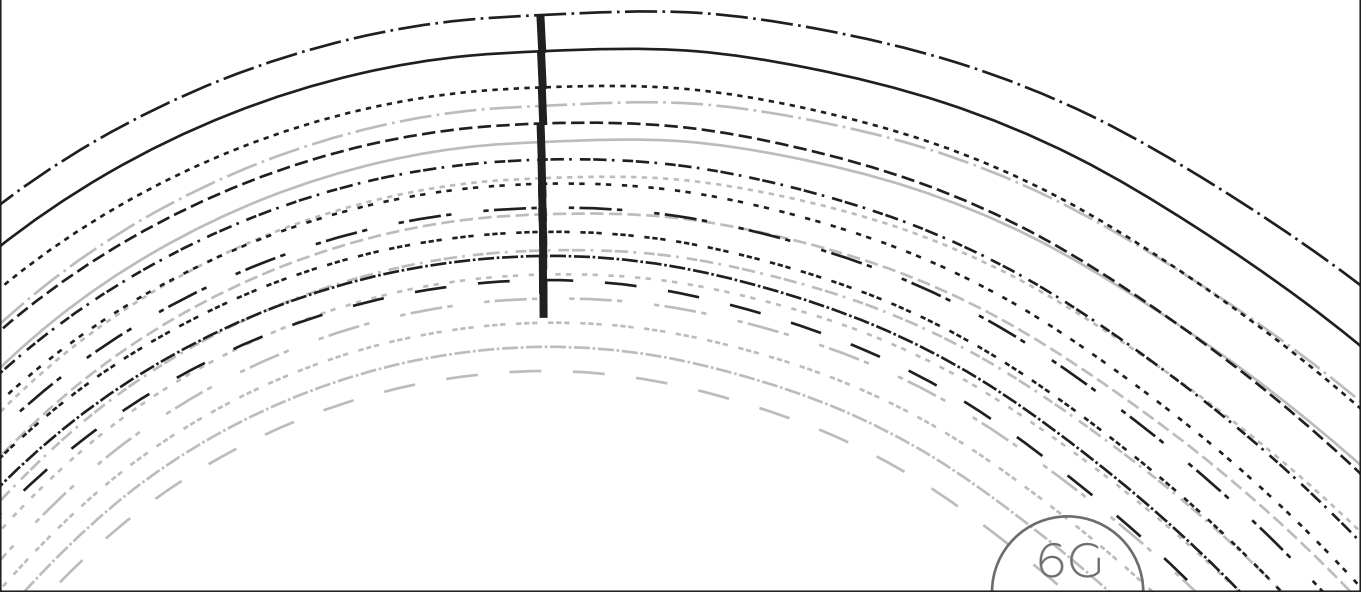
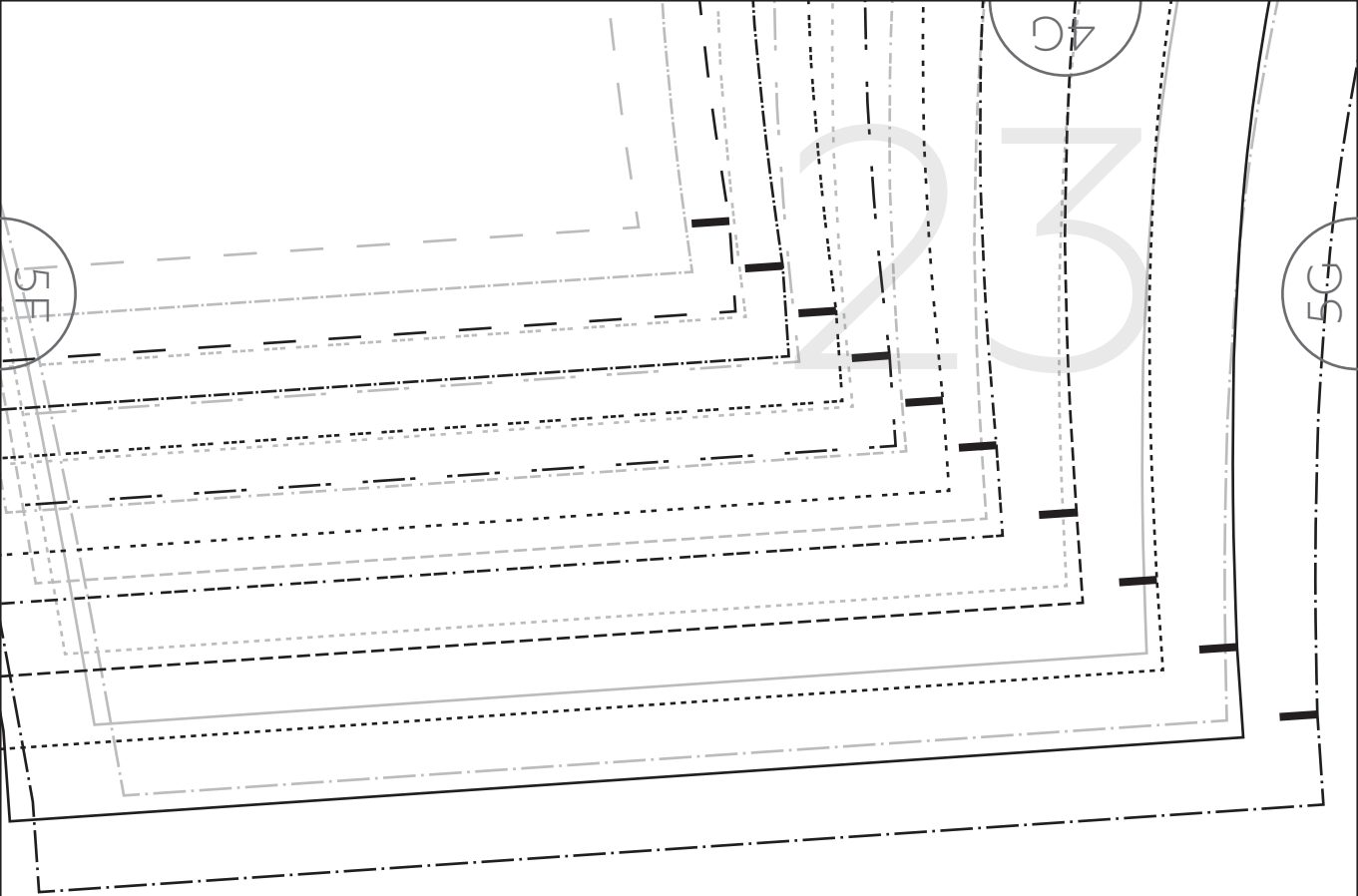
SHARE YOUR MAKES



#peppermintwaptop

Tag us
@inthefolds
@peppermintmagazine





4H

24

4

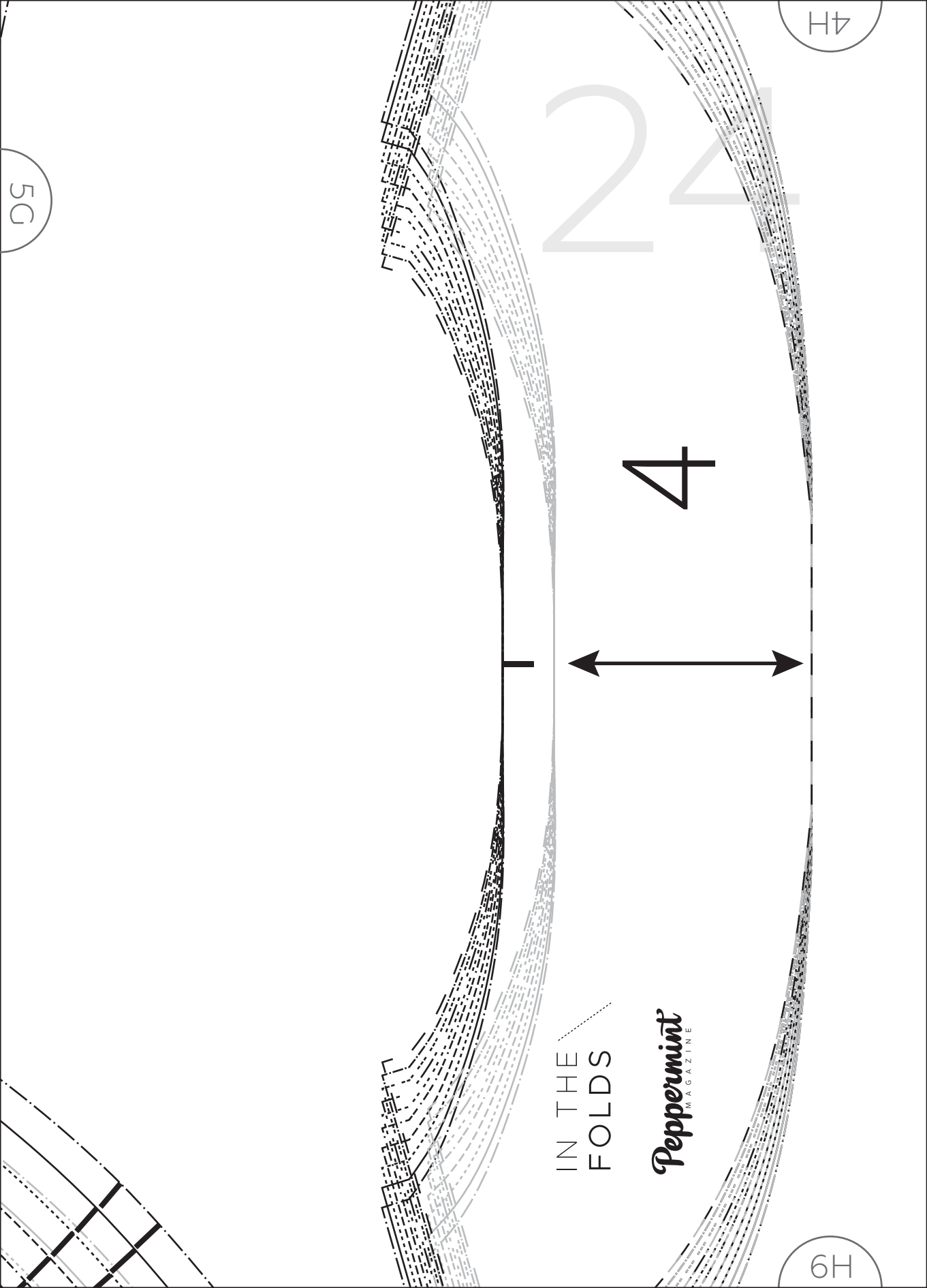


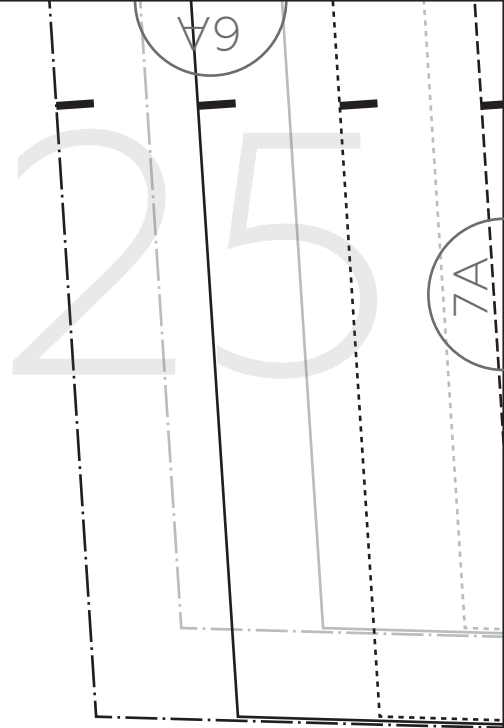
IN THE
FOLDS

Peppermint
MAGAZINE

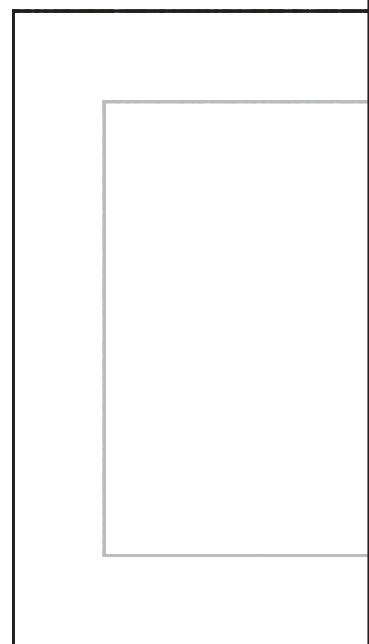
6H

5G





25

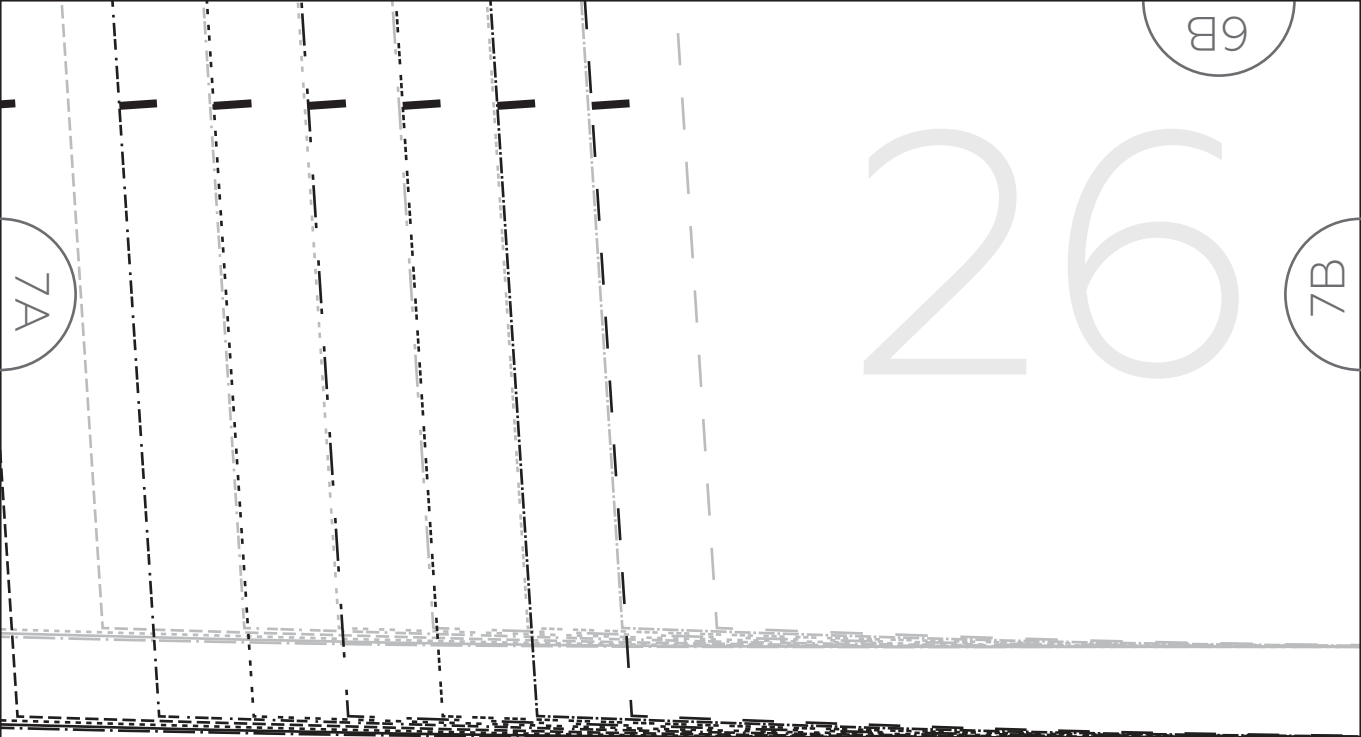


6B

26

7B

7A



GRAINLINE



39

27

7C

7B

IN THE FOLDS

in collaboration with

Peppermint
MAGAZINE

WRAP TOP

WAIST TIE

CUT 1 PAIR

7C

9

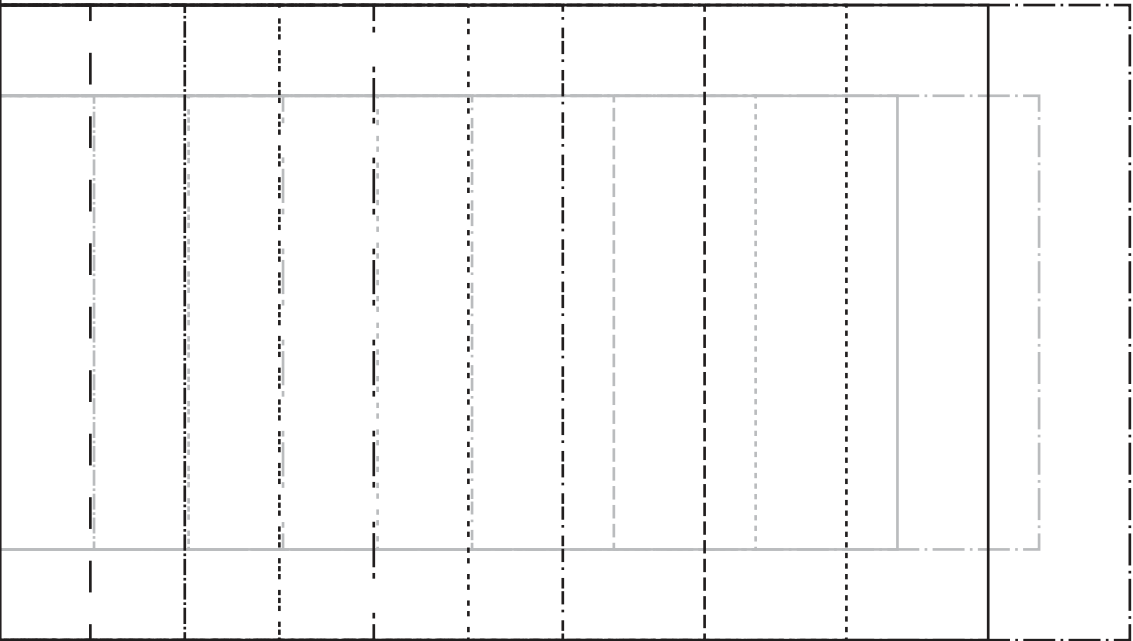
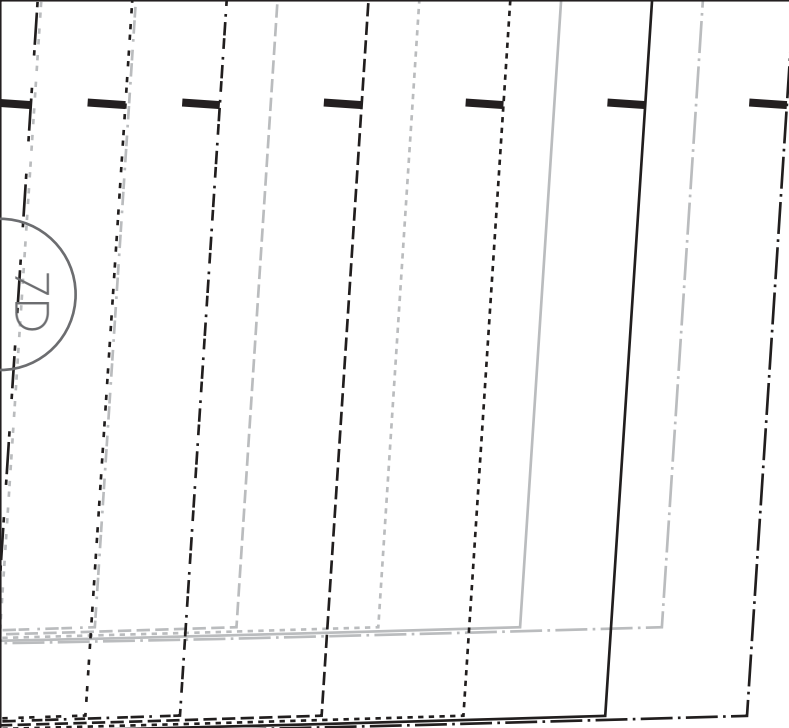
288

7D

2

29

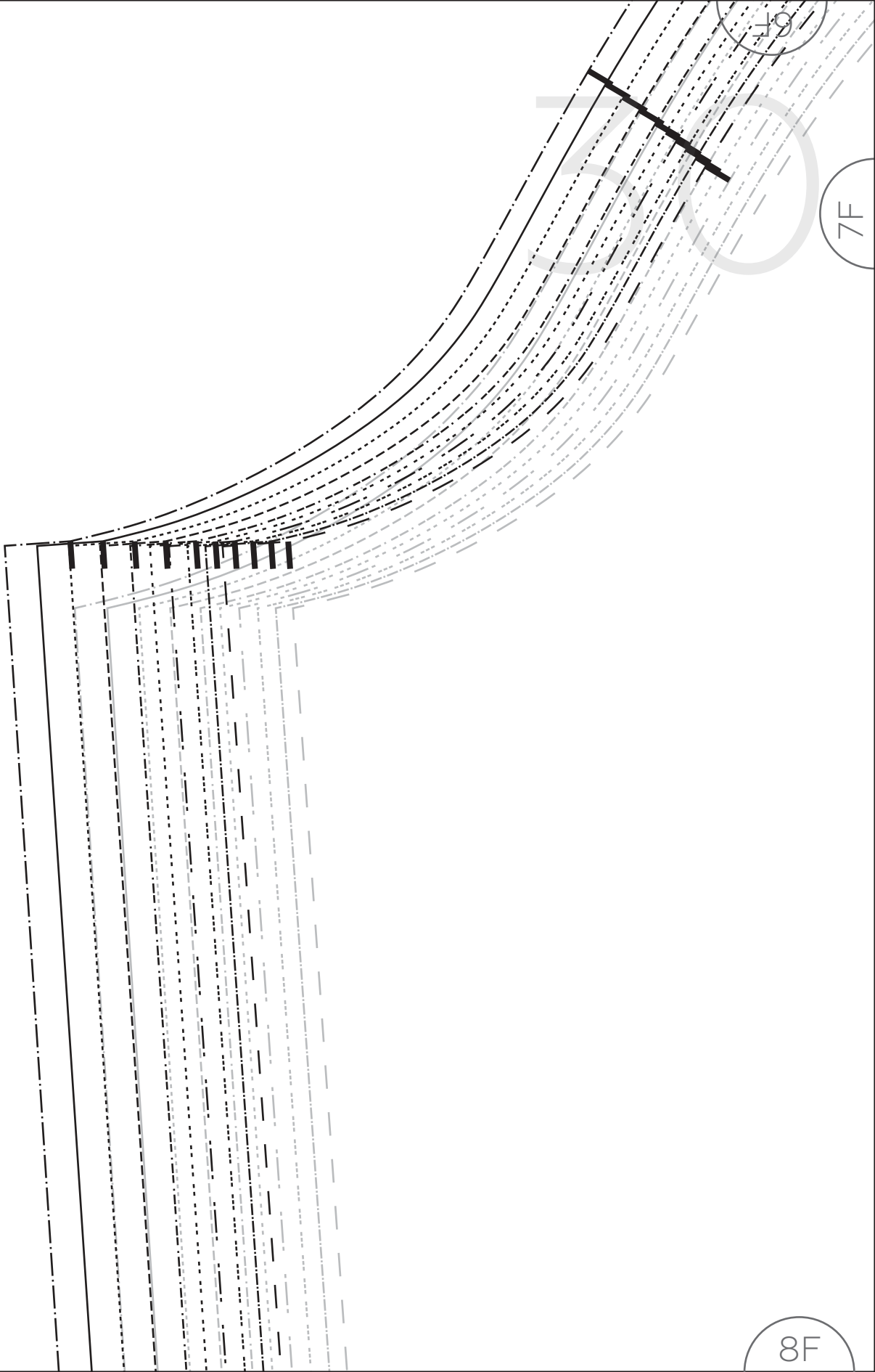
ZD



7E

8F

7F



8F

7F

59

7G

31



GRAINLINE

IN THE FOLDS

in collaboration with

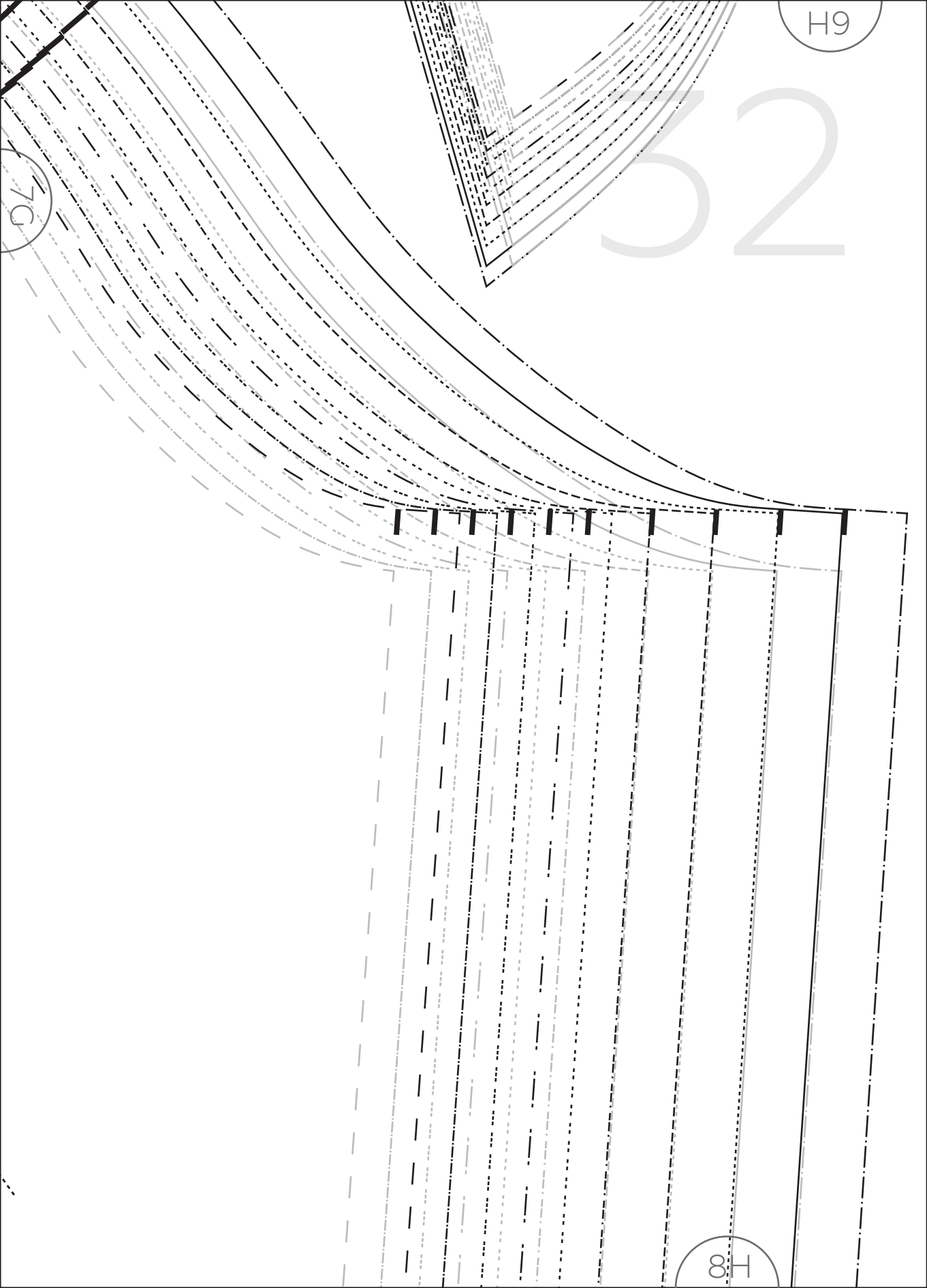
8G

H9

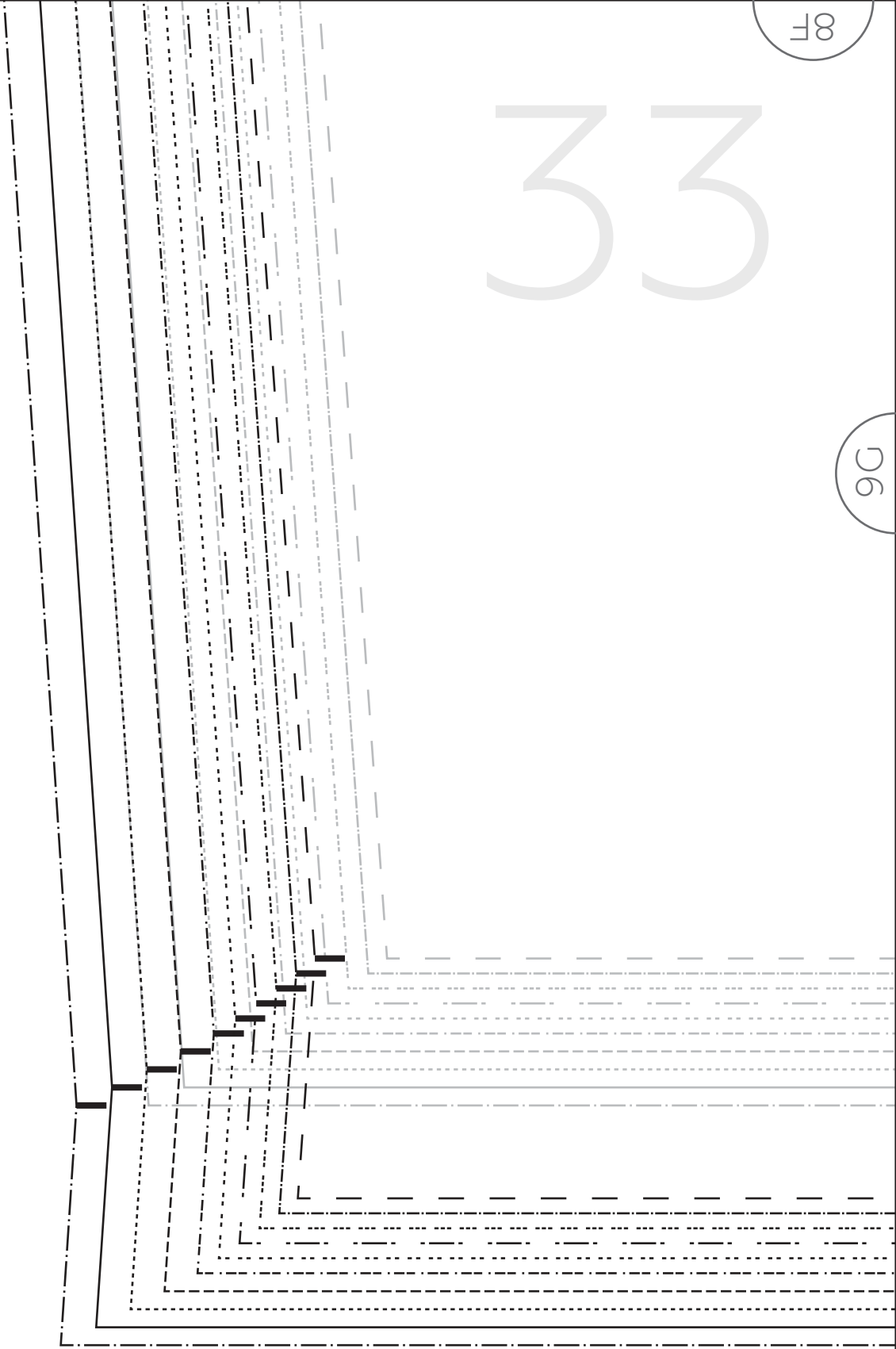
52

7G

H8



33



34
WRAP TO
SLEEVE

CUT 1 PAIR



96

96



355

