

IN THE FOLDS

in collaboration with

Peppermint
MAGAZINE

PLAYSUIT SEWING PATTERN

FEEL FREE TO HACK THIS PATTERN,
ADD TO THIS PATTERN, LOVE THIS PATTERN
AND TO MAKE IT OVER & OVER
BUT PLEASE REMEMBER THAT IT'S
FOR PERSONAL USE ONLY

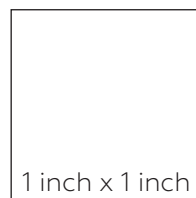
HAPPY SEWING!

©Emily Hundt

PATTERN SIZE KEY

— — — — —	SIZE A
-----	SIZE B
.....	SIZE C
- . - . - . - .	SIZE D
.....	SIZE E
- . - . - . - .	SIZE F
-----	SIZE G
.....	SIZE H
—————	SIZE I
-----	SIZE J

TEST SQUARE



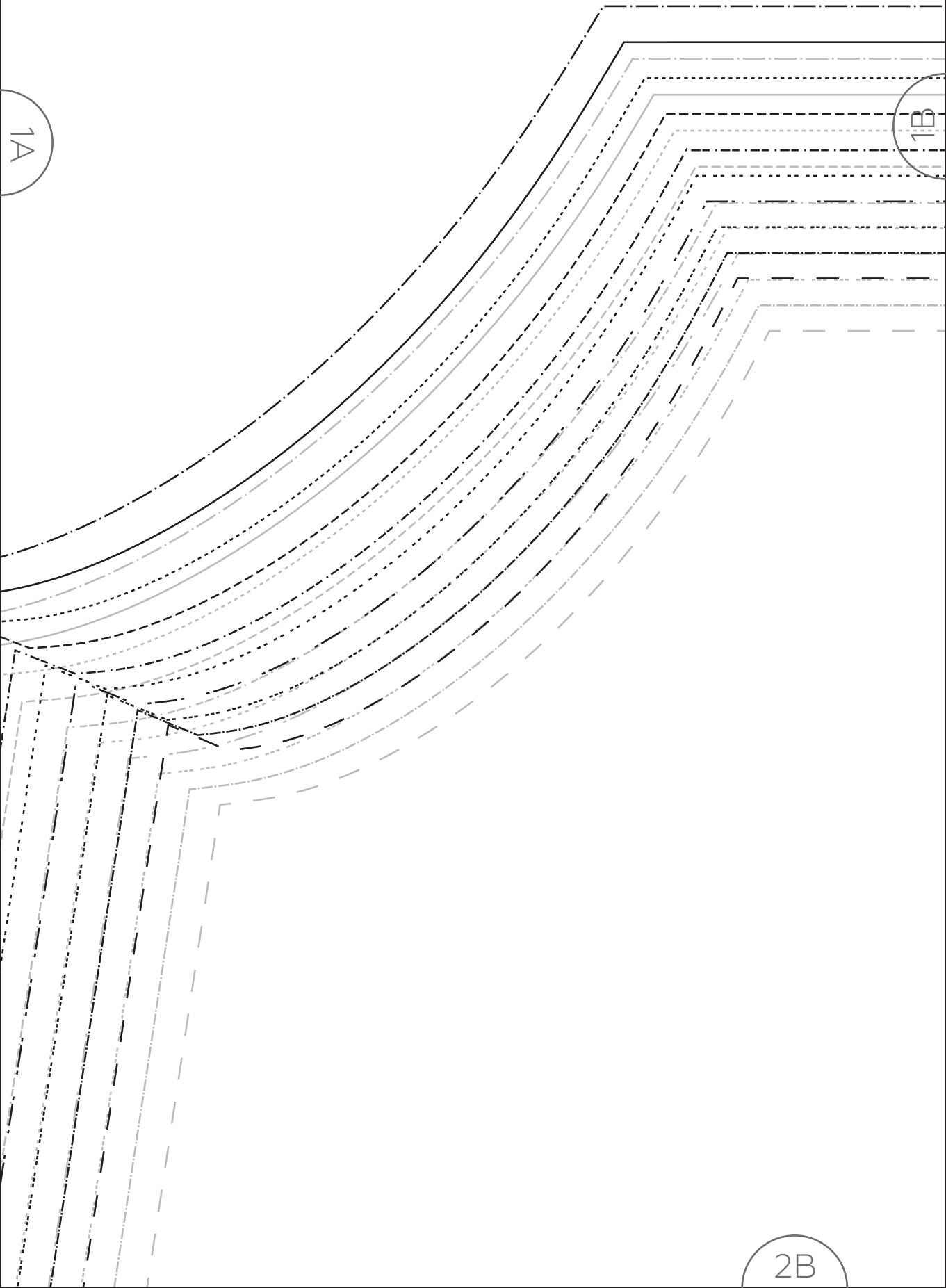
1 inch x 1 inch

5cm x 5cm

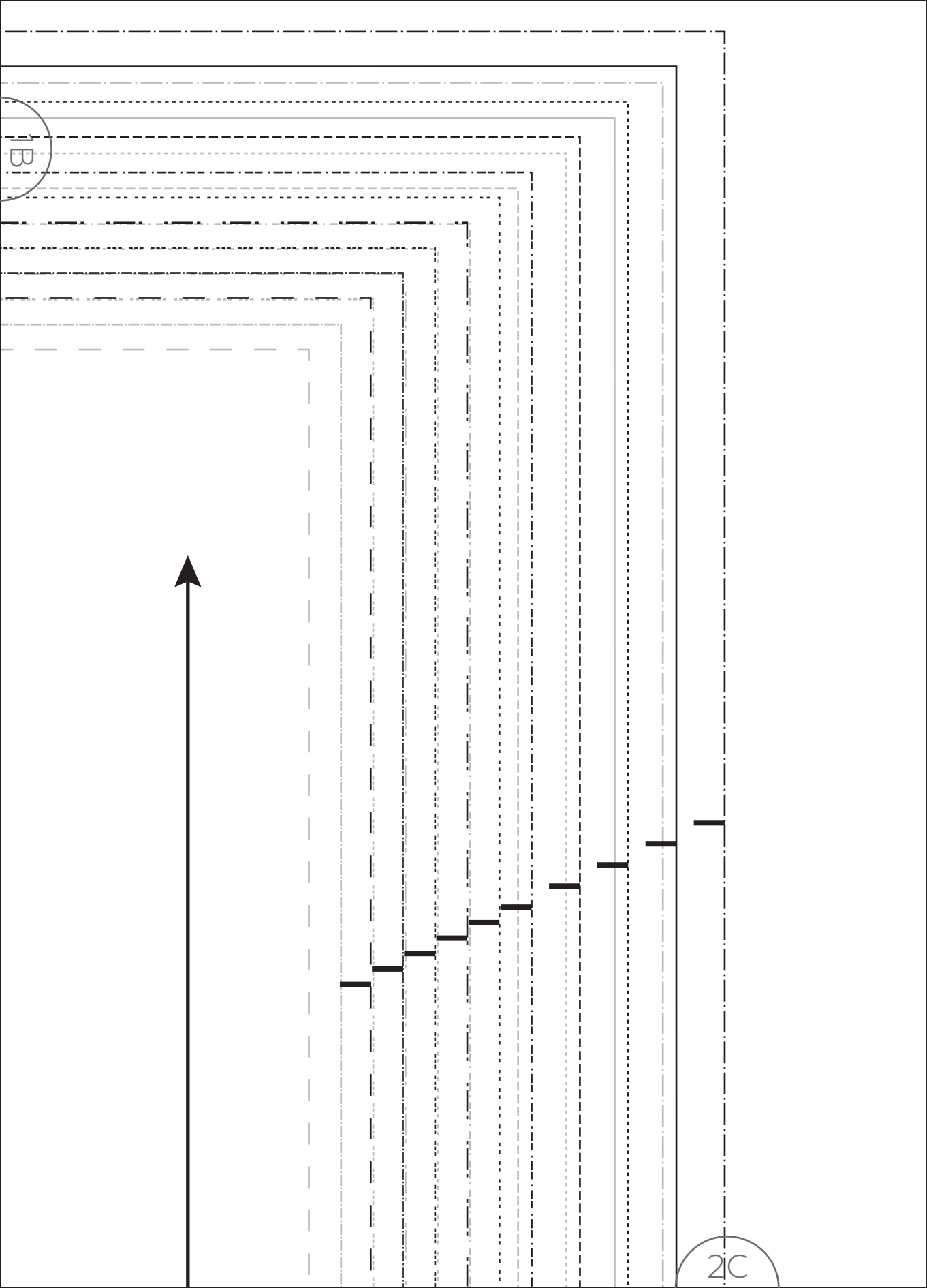
1A

2A

1A



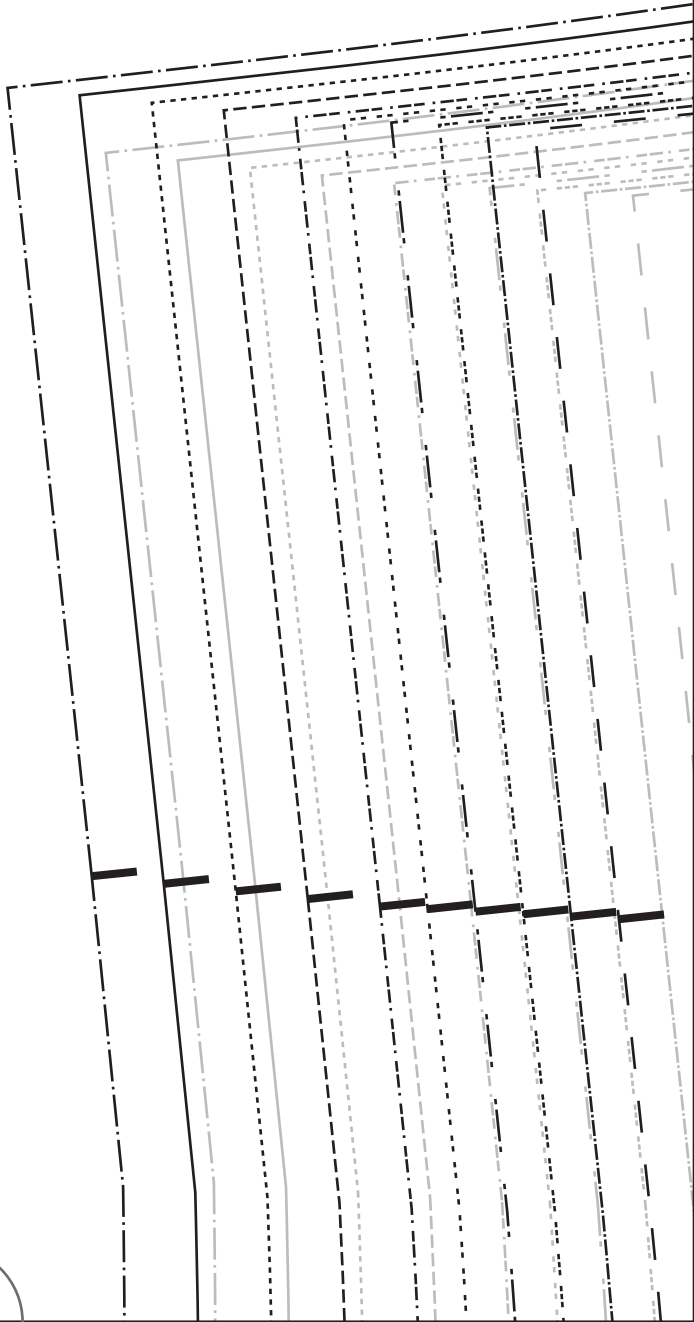
2B



1B

2C

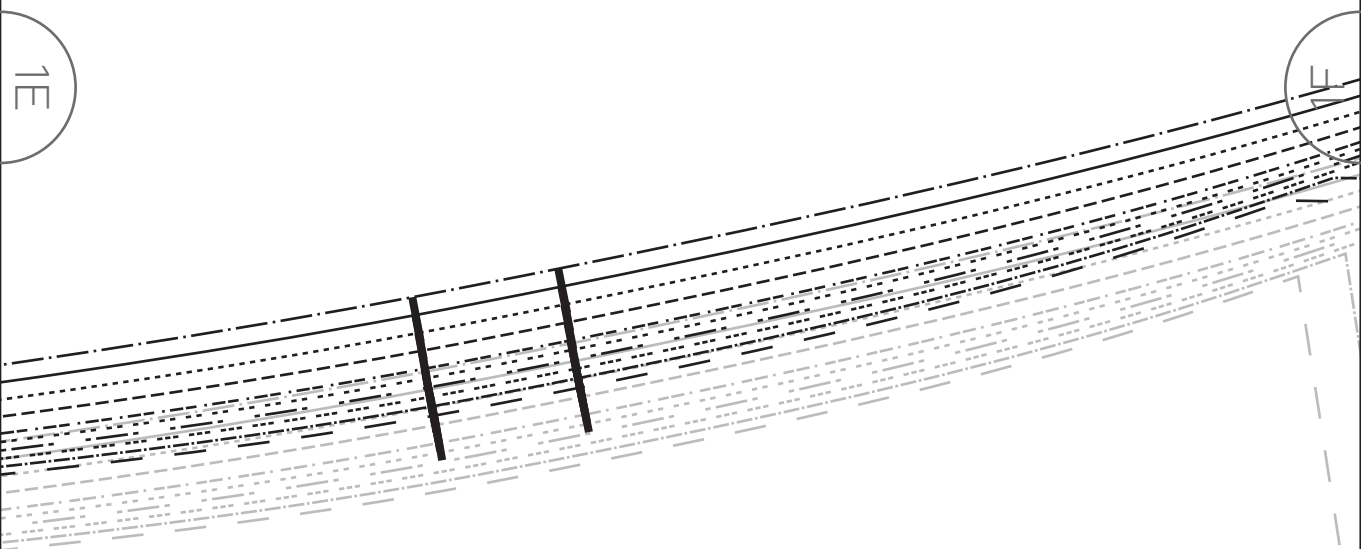
1E



2E

1E

1E



2F





SHARE YOUR MAKES



#peppermintplaysuit

Tag us











@inthefolds

@peppermintmagazine

We're super excited to bring you these patterns in partnership with the lovely people at **The Fabric Store**. With a passion for all things sewing, they stock an incredible range of fabrics – think quality linen, silk, cotton, merino and even leather – at their Sydney, Melbourne, Brisbane and New Zealand stores, as well as a small selection online.

The Fabric Store

PATTERN SYMBOL KEY

-  NOTCH
-  DOUBLE NOTCH
-  DRILL HOLE
-  BUTTON HOLE
-  BUTTON PLACEMENT
-  CUTTING LINE
-  STITCH LINE
-  GRAINLINE
-  PLACE PATTERN ON FOLD
-  LENGTHEN / SHORTEN LINE

PLEASE NOTE:
SEAM ALLOWANCES ARE INCLUDED
AND ARE 1.2cm (½") UNLESS
OTHERWISE STATED (IN INSTRUCTIONS)

SHARE YOUR MAKES



#pepperminplaysuit

Tag us
@inthefolds
@peppermintmagazine

4A

3A

2A

2B

IN THE FOLDS

in collaboration with

Peppermint
MAGAZINE

3B

PLAYSUIT

FRONT

CUT 1 PAIR

1

LENGTHEN / SHORTEN LINE



4B

2C

3C

4C

GRAINLINE



3B

Handwriting practice sheet with a grid and multiple rows of lines. The grid is defined by a vertical line on the left and a horizontal line near the bottom. The top row contains a dashed line, a solid line, and a dotted line. The middle row contains a solid line, a dashed line, a solid line, and a dotted line. The bottom row contains a solid line, a dashed line, a solid line, and a dotted line. The text 'GRAINLINE' is written vertically in the bottom-left quadrant. A small circle with a dot is located in the bottom-left quadrant. The labels '2C', '3B', '3C', and '4C' are positioned in the corners of the grid.

3C

3D

IN THE FOLDS

in collaboration with

Peppermint
MAGAZINE

PLAYSUIT

PATCH POCKET (ALL S

CUT 1 PAIR

GRAINLINE



4D

ZES)

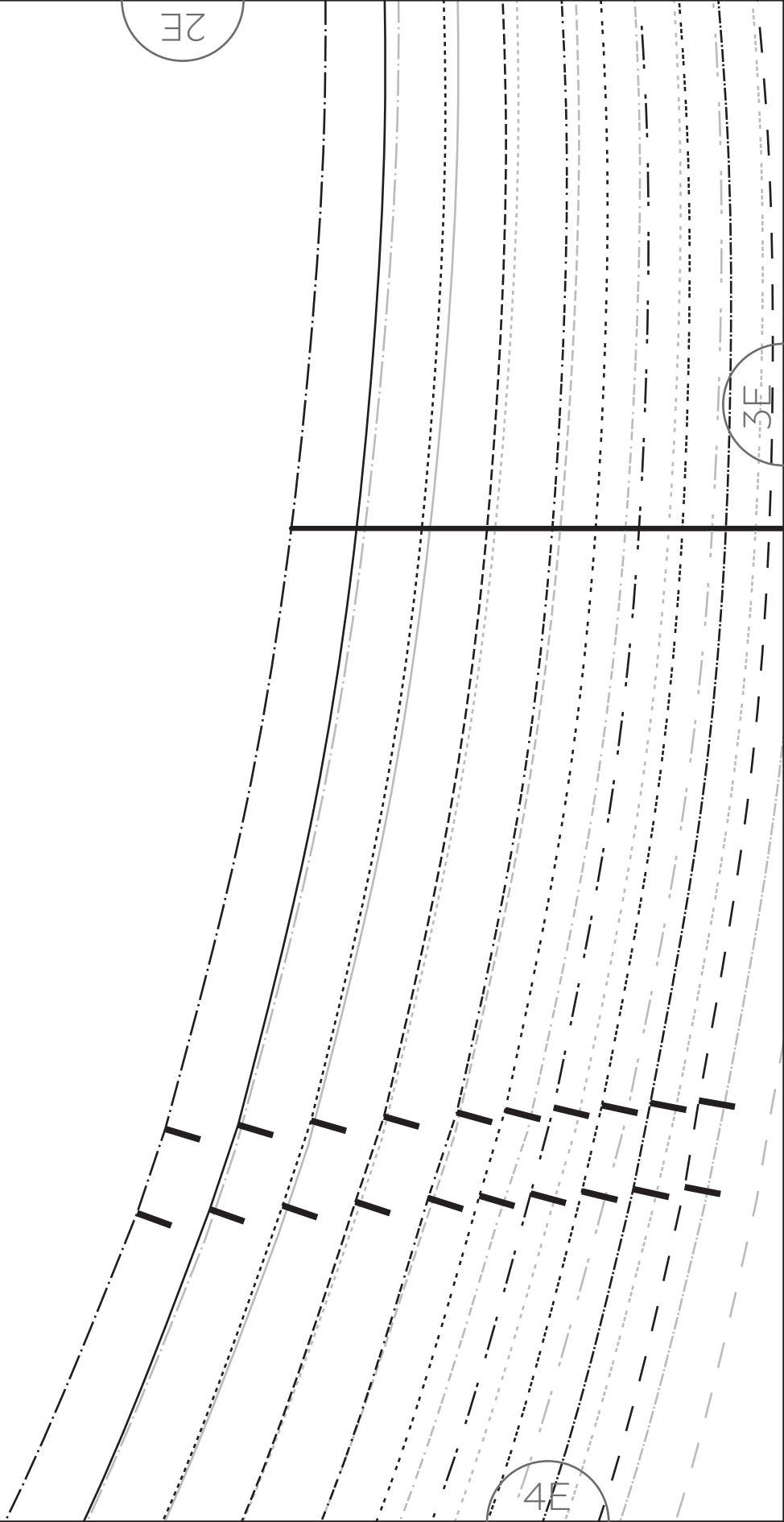
3

3D

2E

3E

4E



2F

3F

LENGTHEN / SHORTEN LINE

IN THE FOLDS

in collaboration with

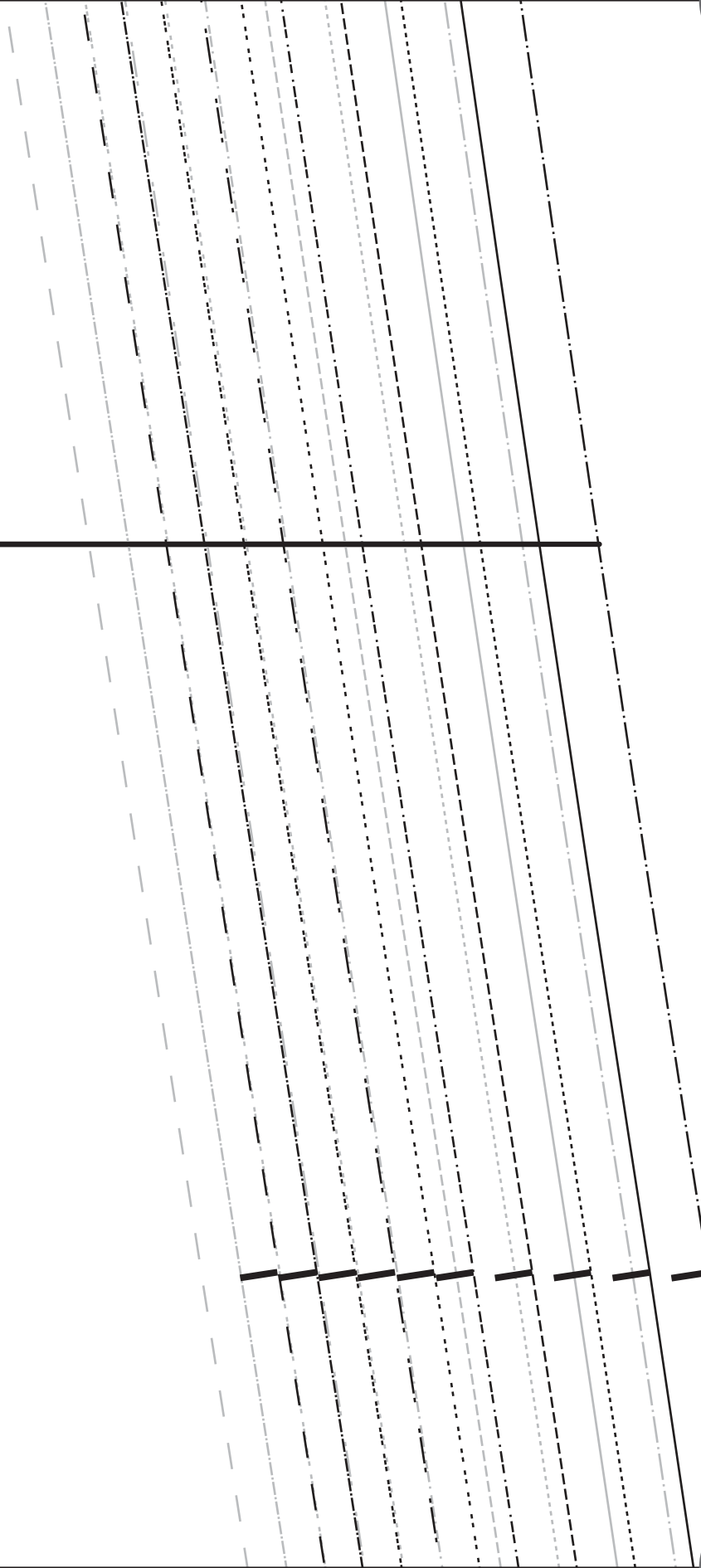
Peppermint
MAGAZINE

4F
LINE

2C

3F

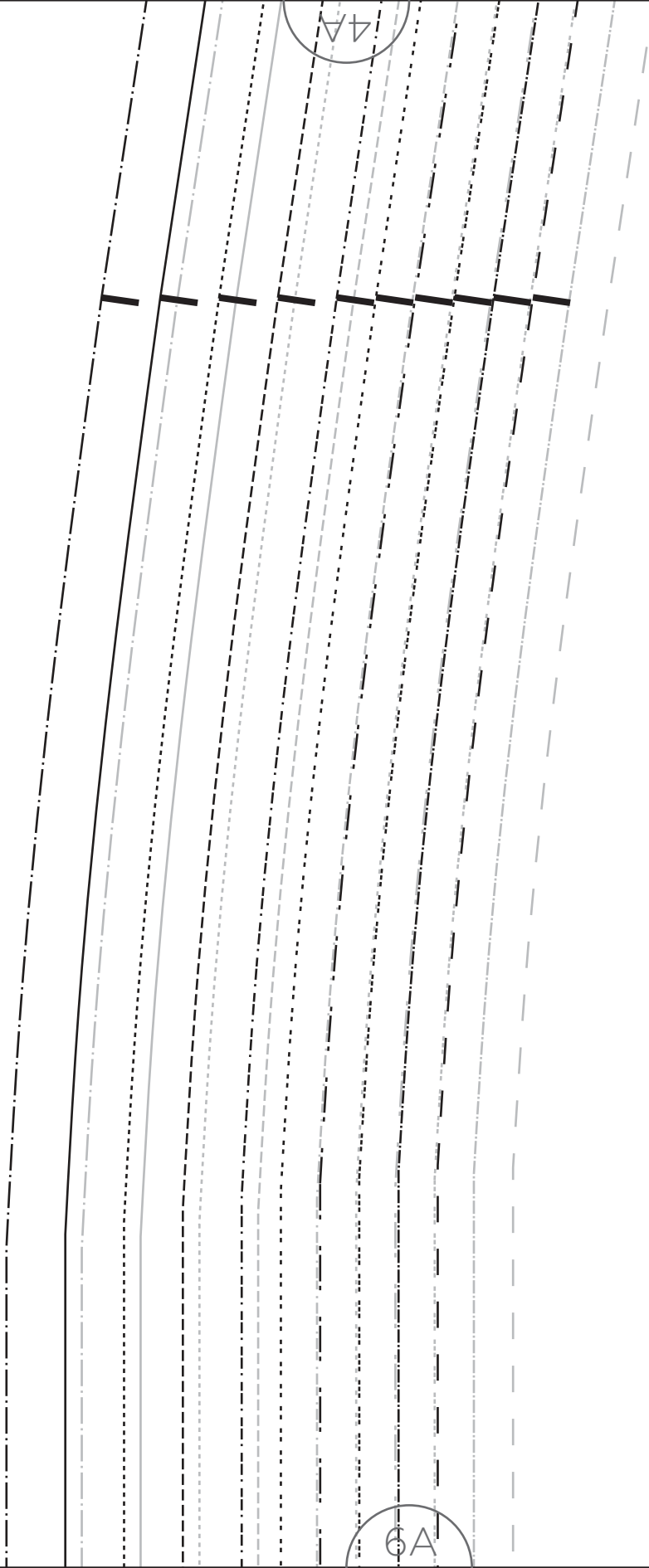
4G



5A

4A

6A



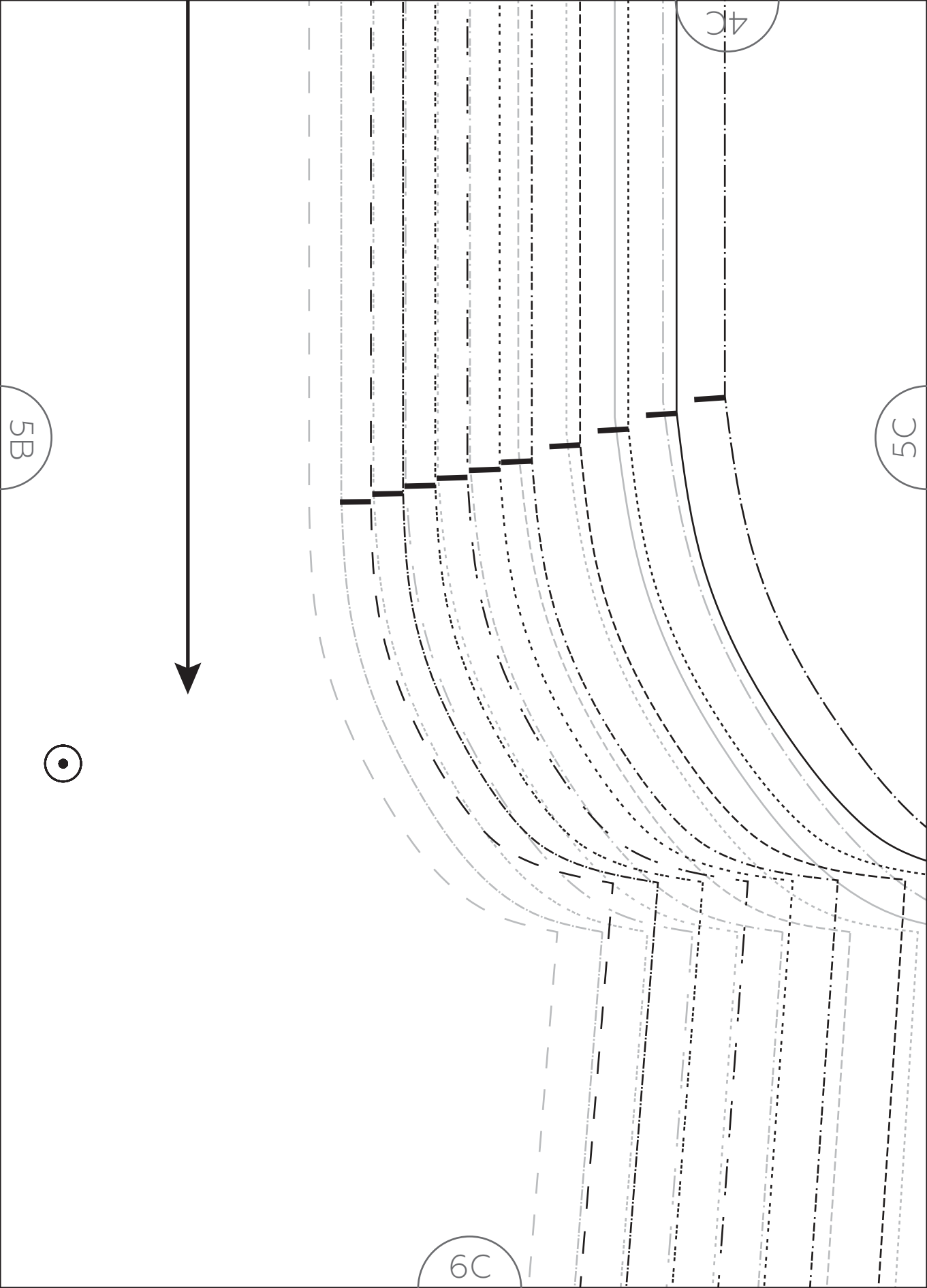
4B

5B

5A



6B



4C

5C

6C

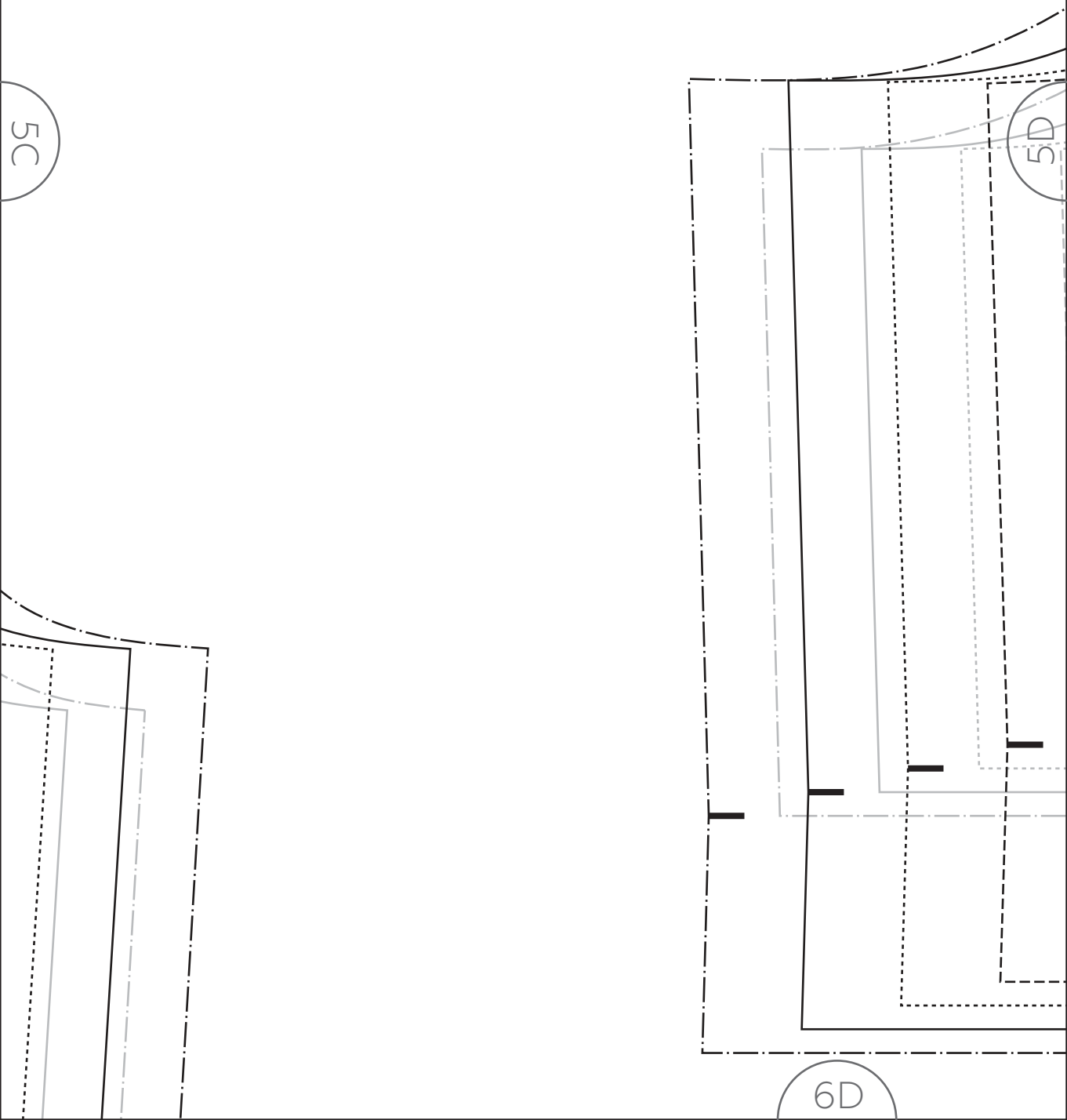
5B

4D

5D

6D

5C

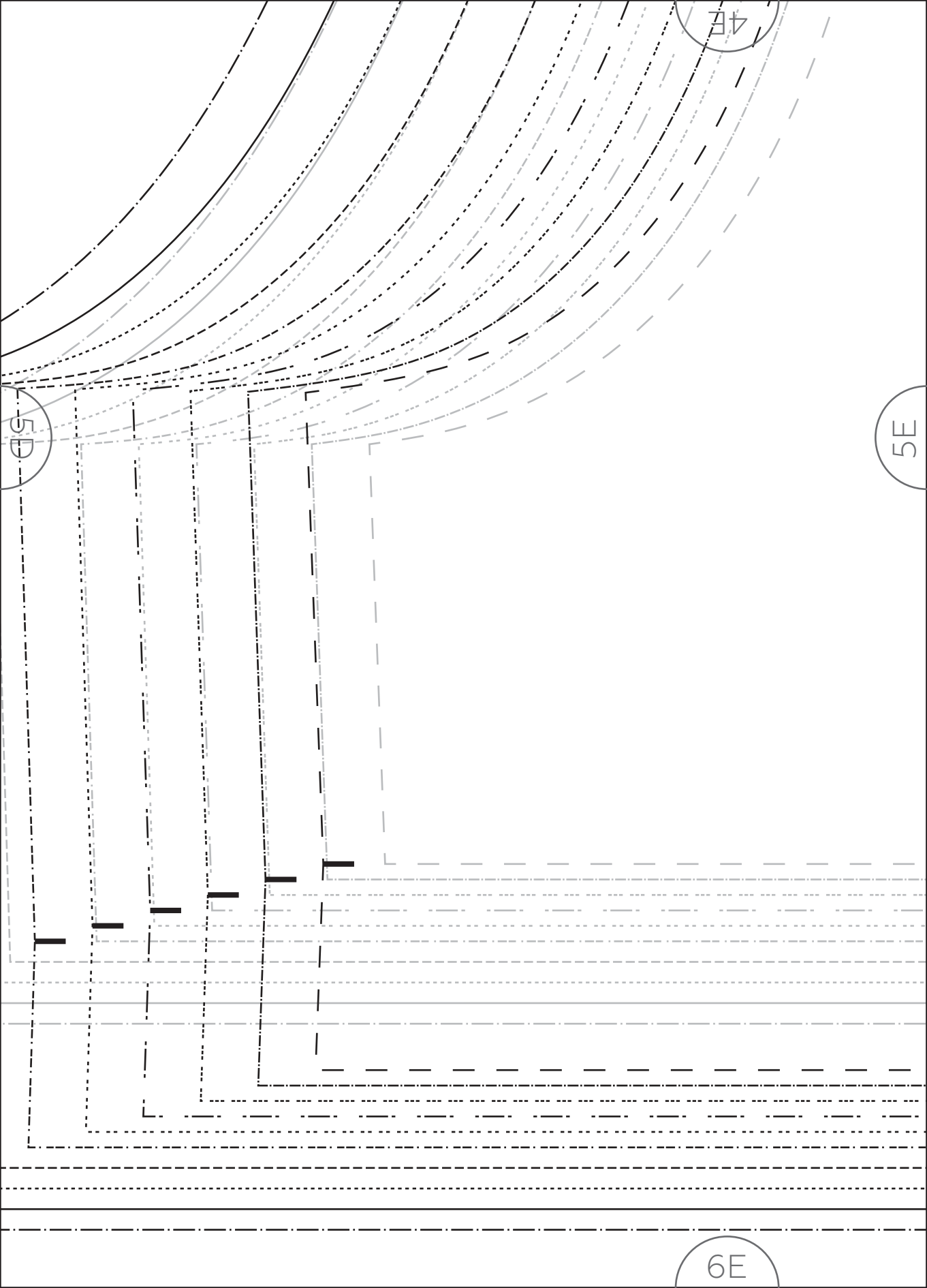


4E

5D

5E

6E



PLAYSUIT

BACK

CUT 1 PAIR

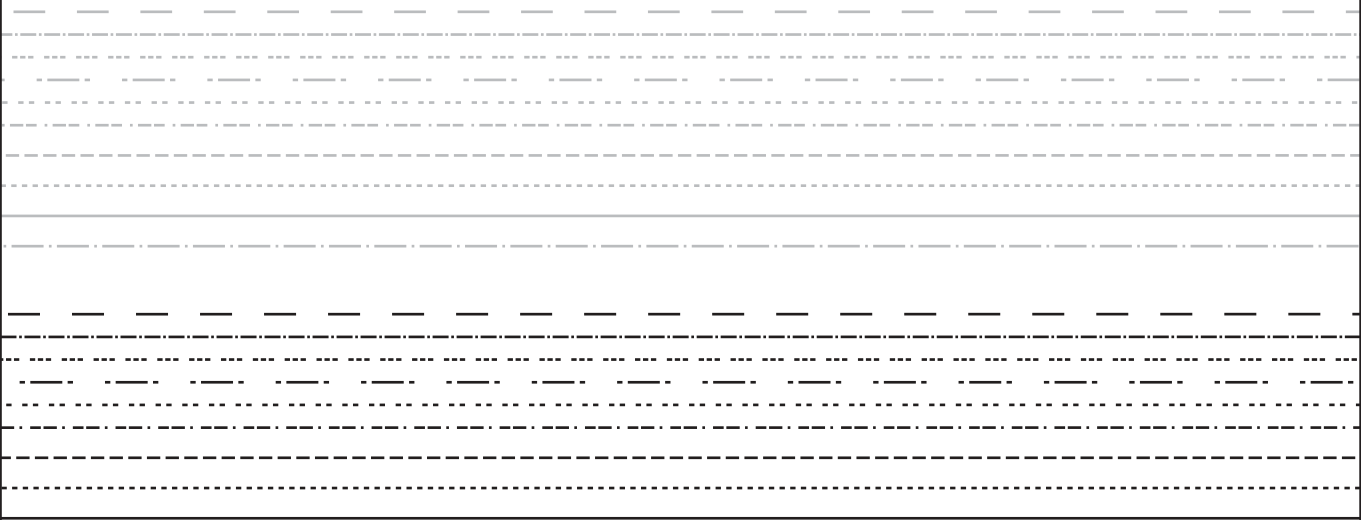
2

GRAIN



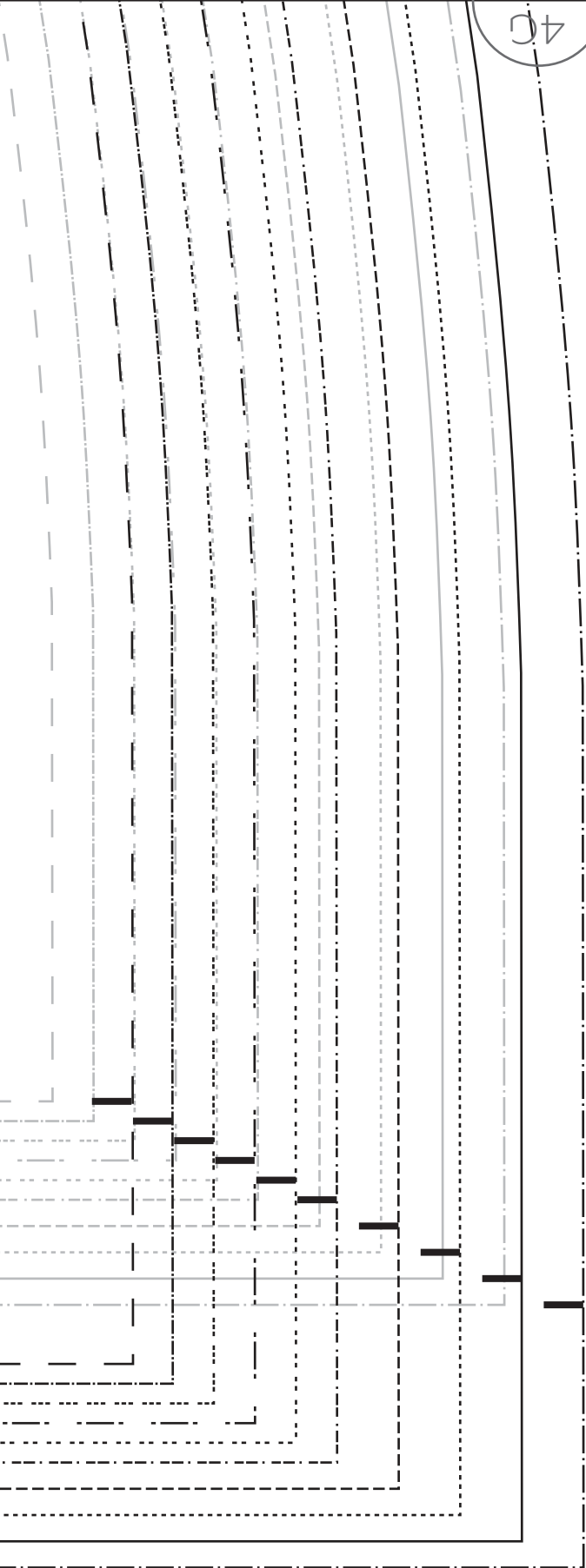
5E

5F



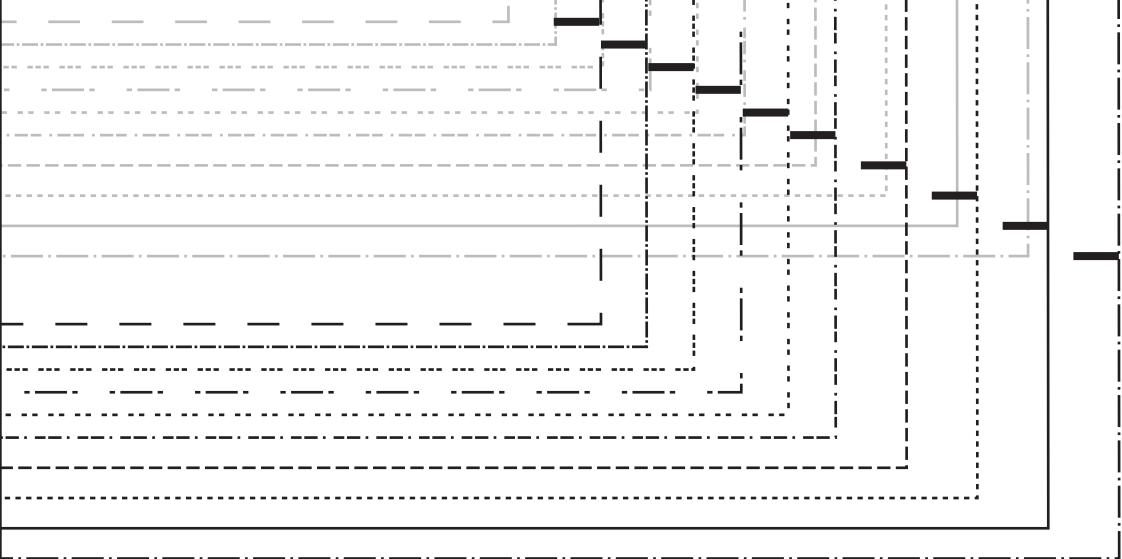
6F

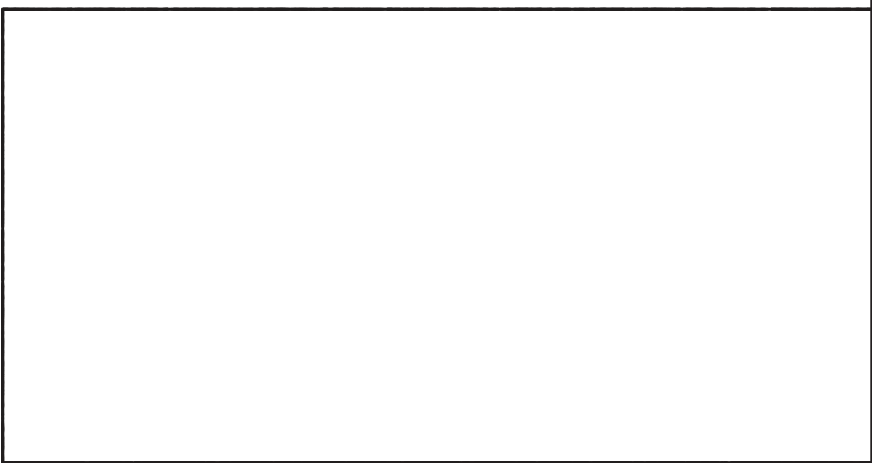
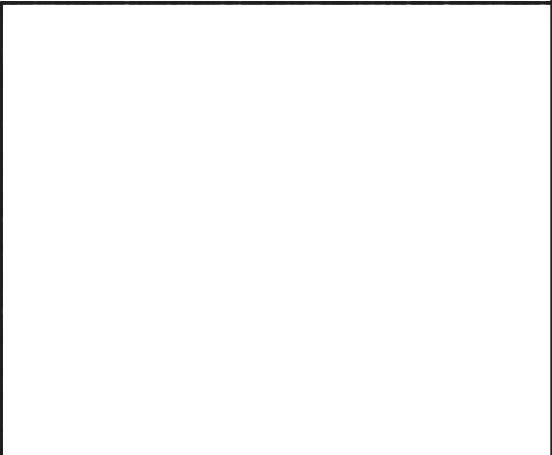
4C



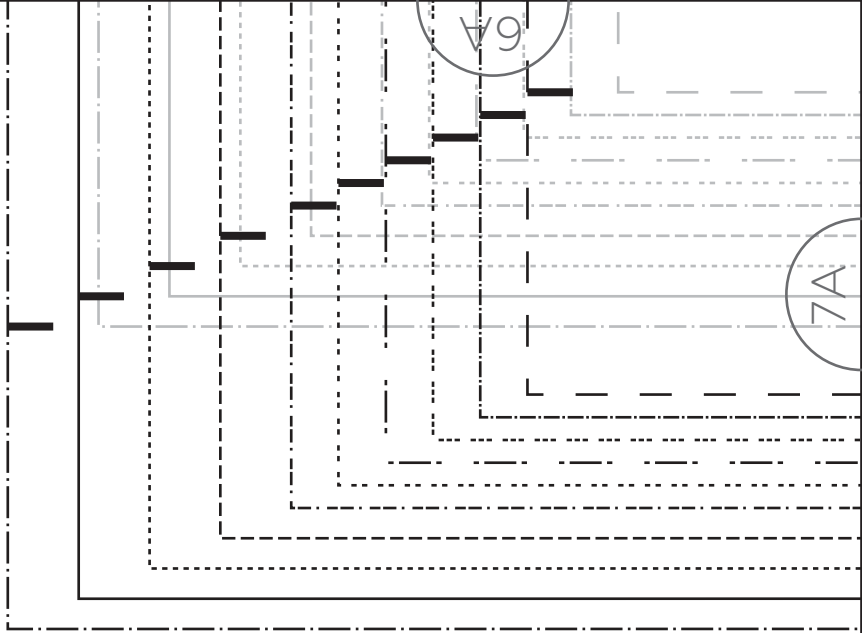
6C

5F





7A1



IN THE
FOLDS

in collaboration with

Peppermint
MAGAZINE

PLA

FRON

CUT 1

IN THE
FOLDS

in collaboration with

Peppermint
MAGAZINE

PLAYS

BACK ST

CUT 1 PA

6B

7B

7A

YSUIT

T STRAP

PAIR

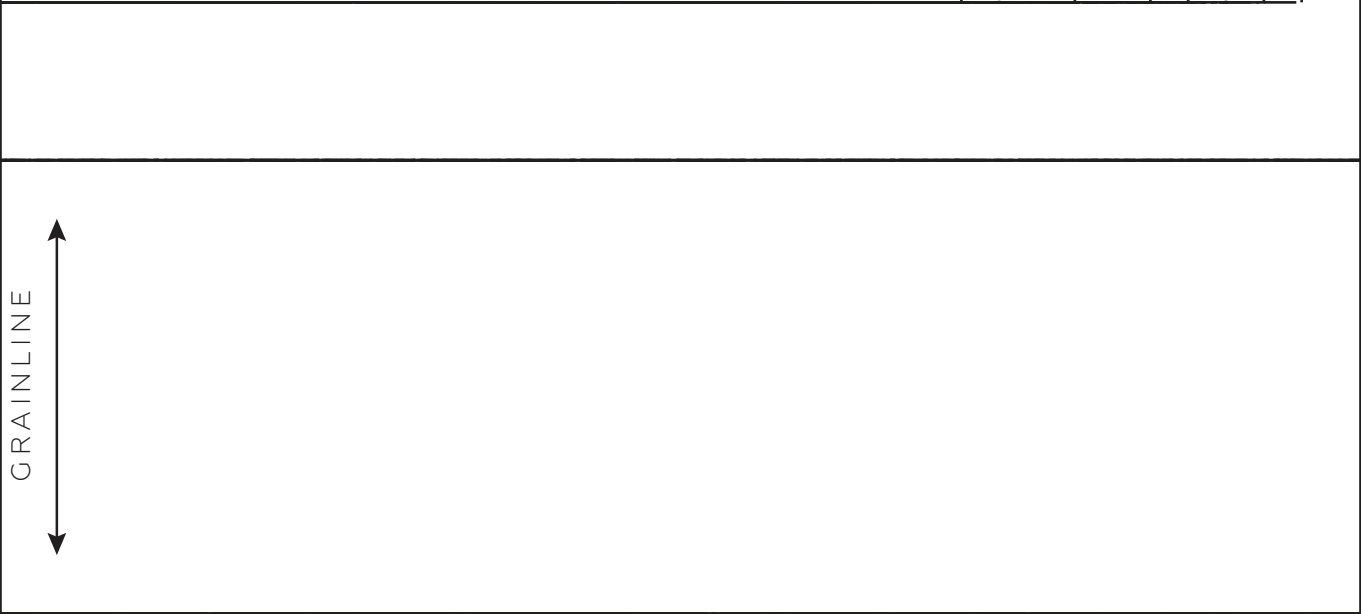
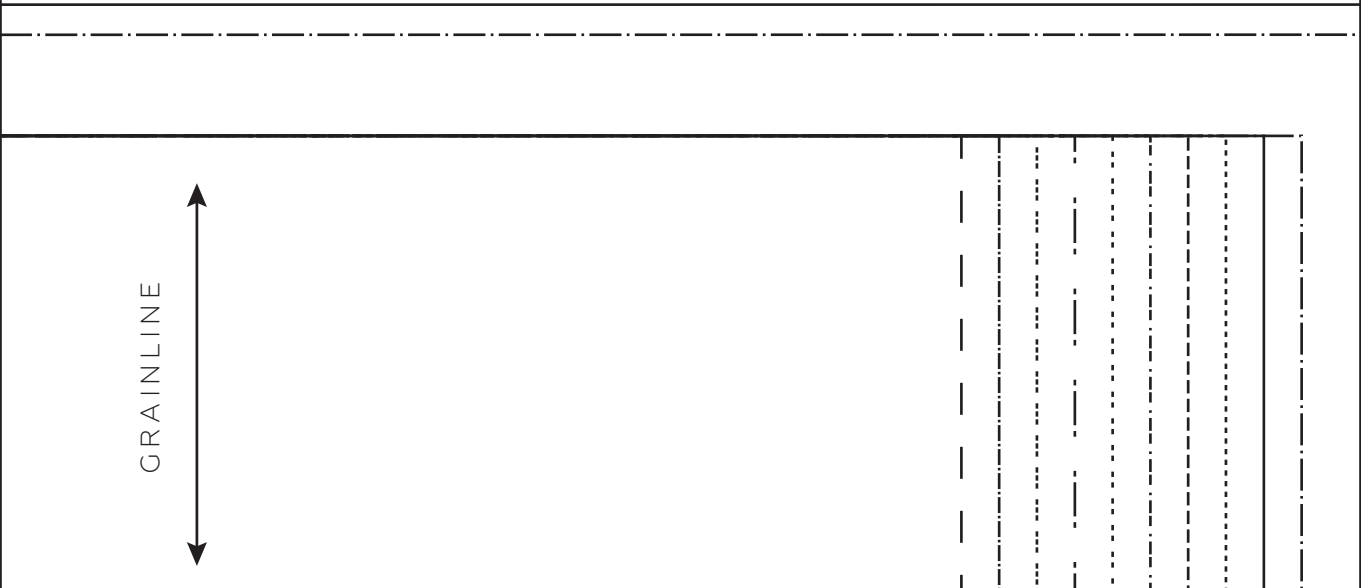
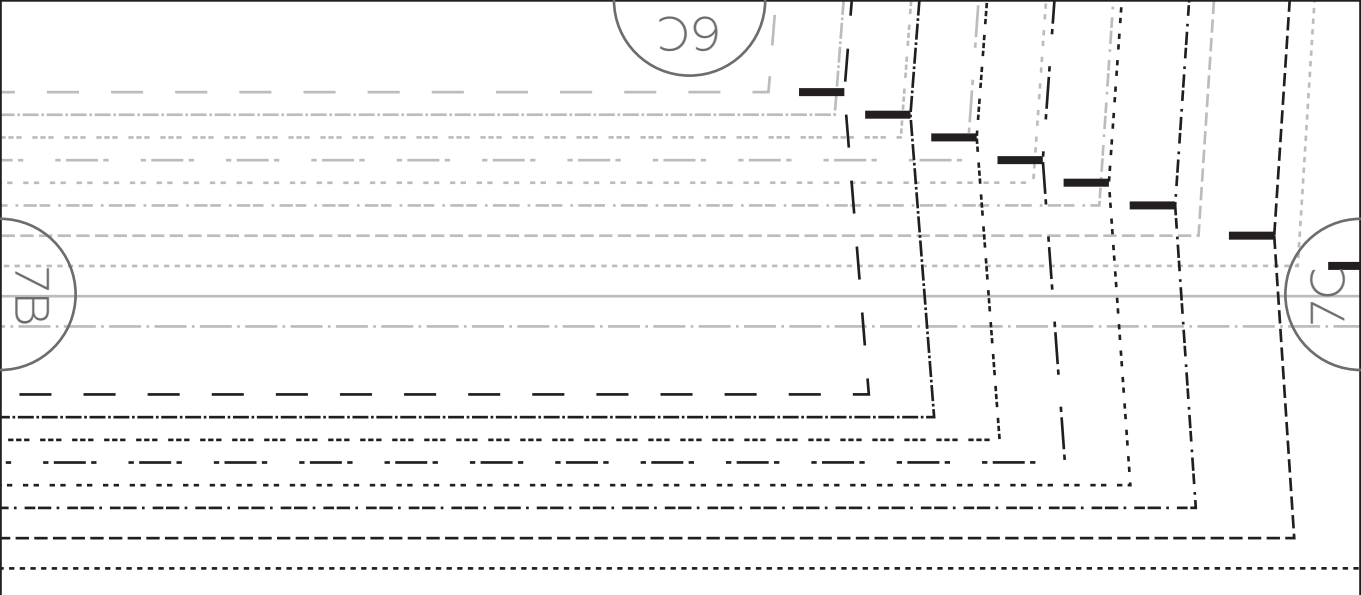
6

SUIT

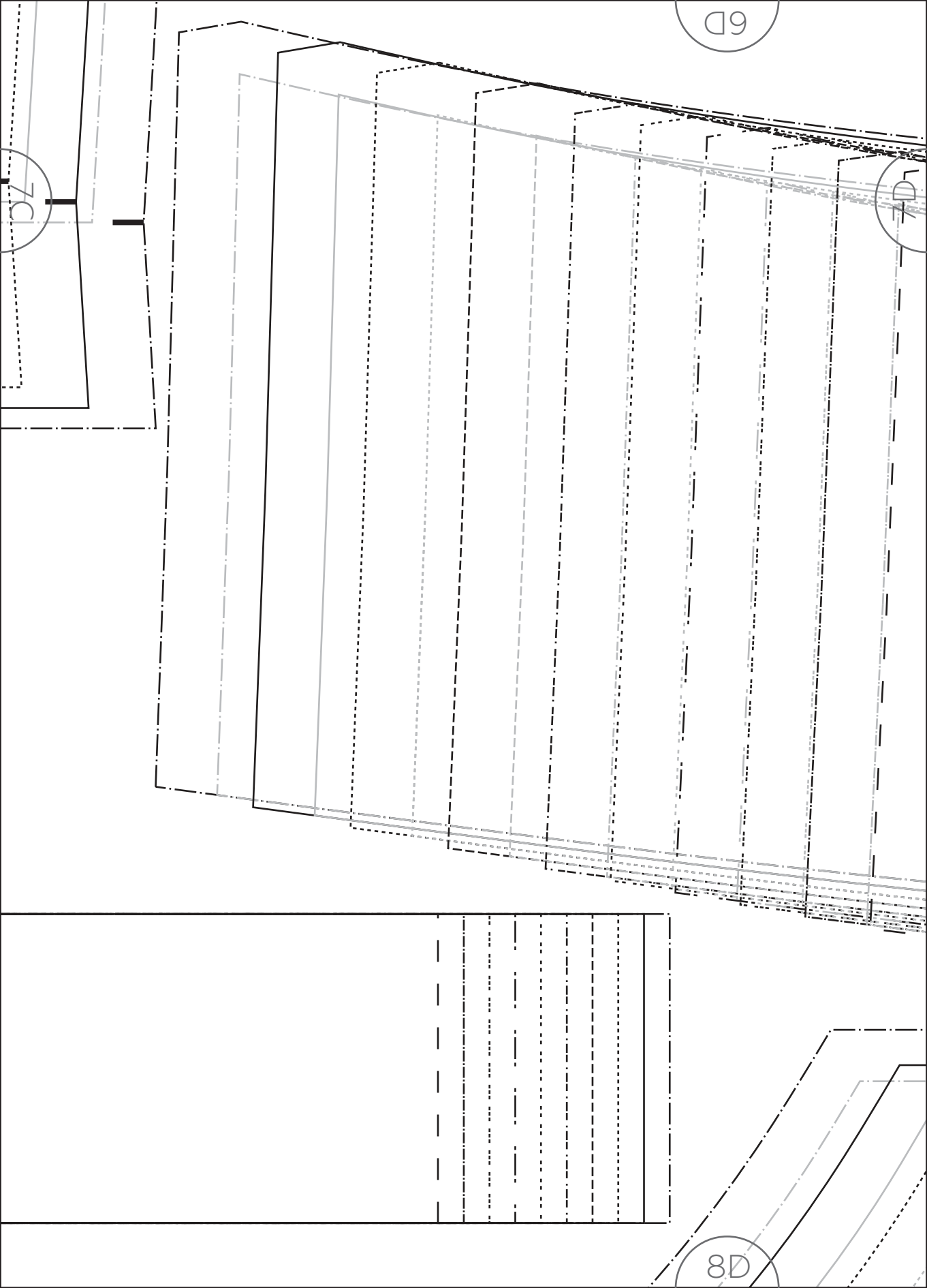
RAP

PAIR

7



8C

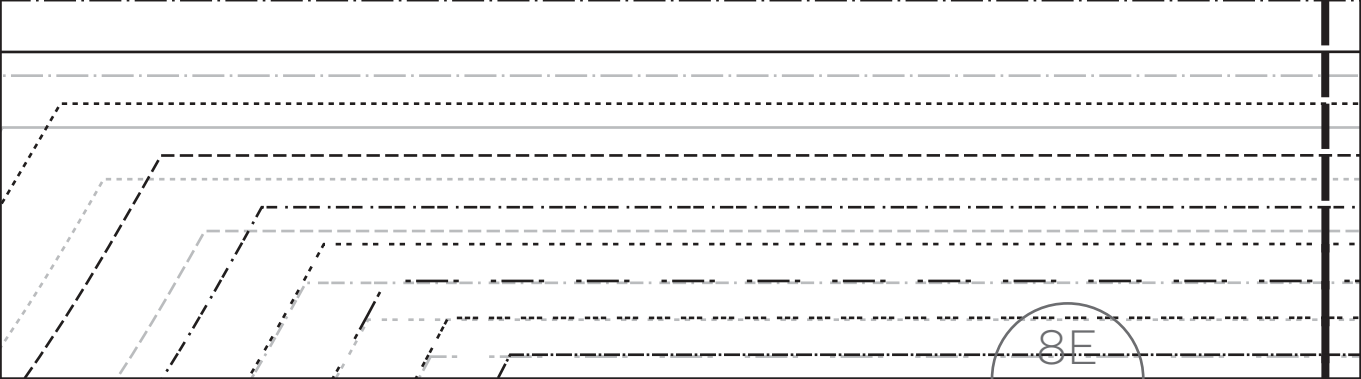
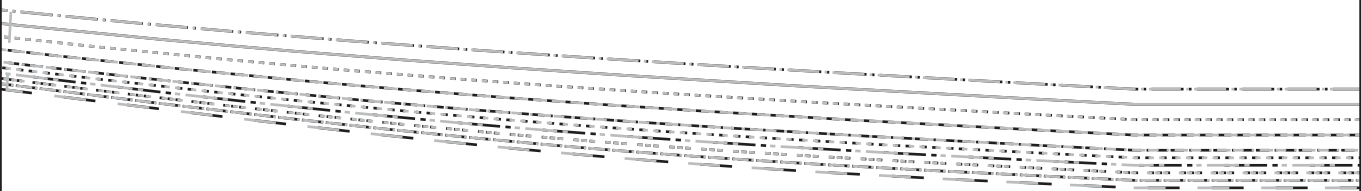
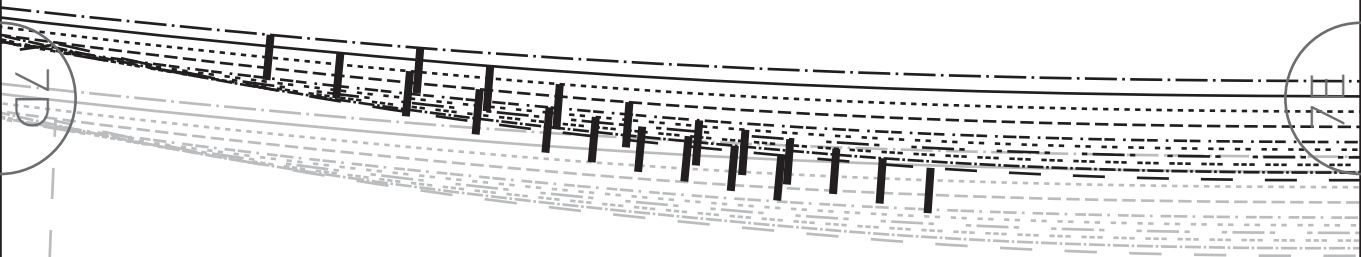


9D

7C

9D

8D



6F

IN THE FOLDS

in collaboration with

Peppermint
MAGAZINE

PLAYSUIT

5

BACK FACING

CUT 1

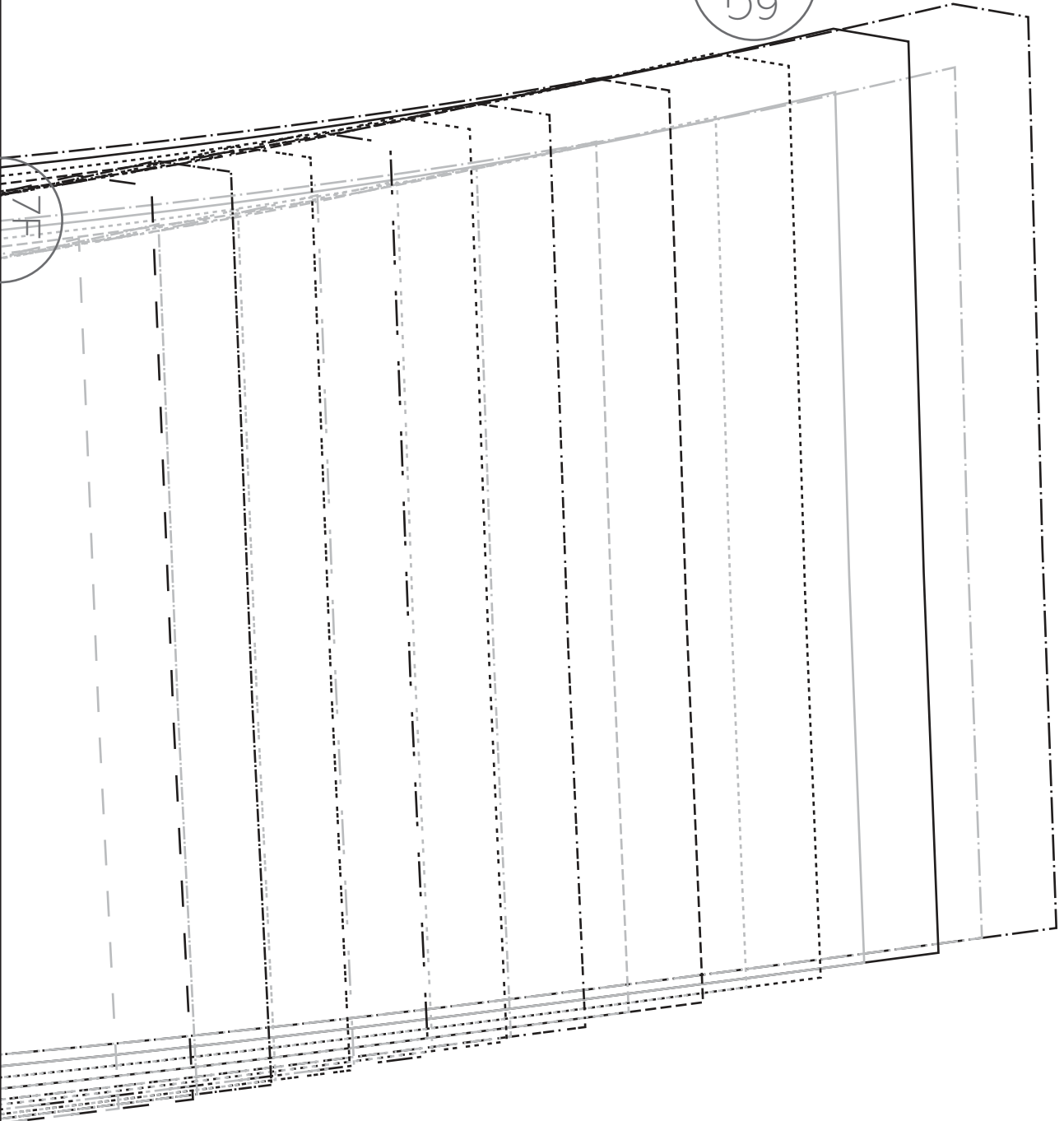
GRAINLINE



8F

09

7E



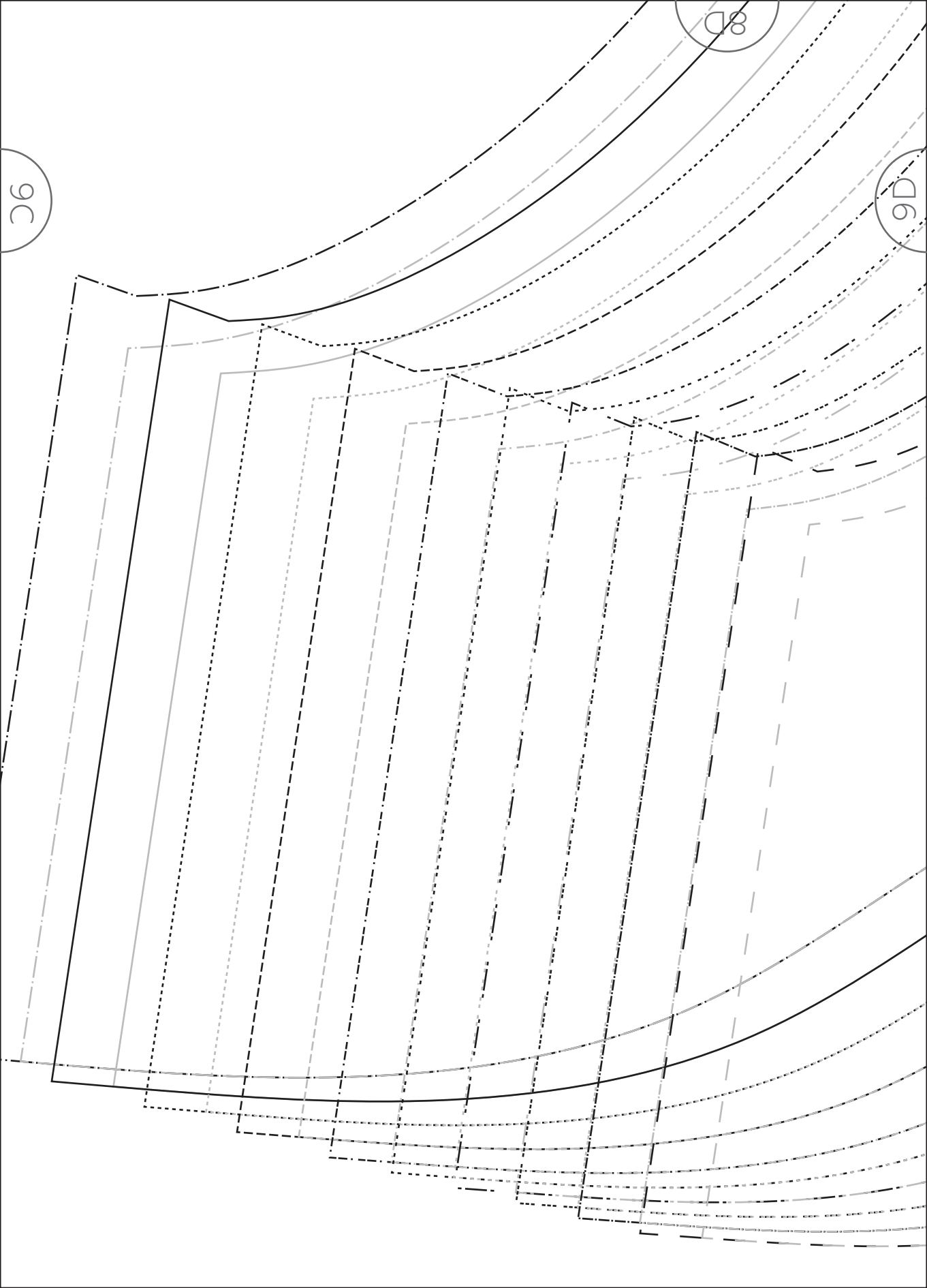
8G

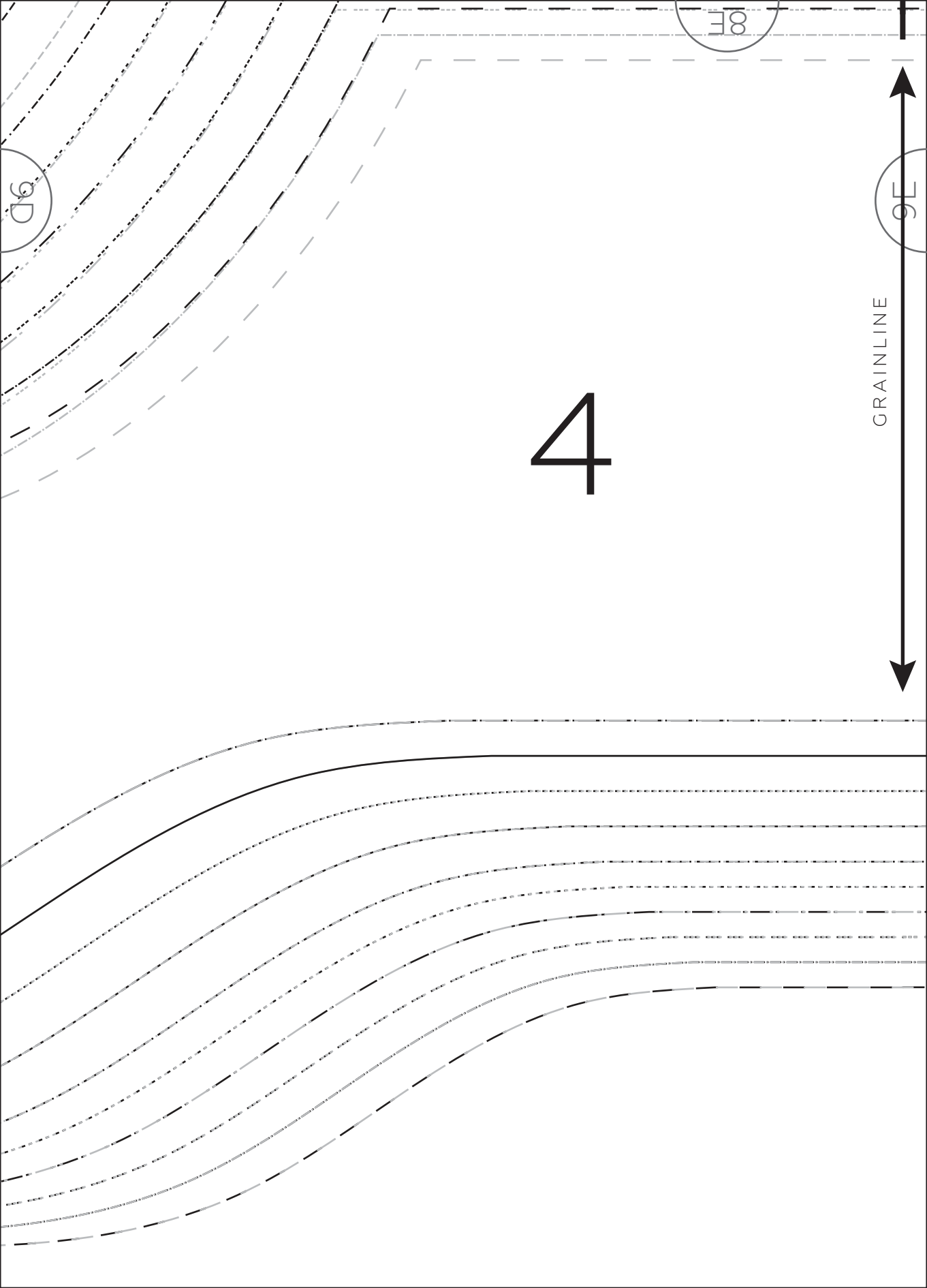


9C

8D

9D





9E

IN THE FOLDS

in collaboration with

Peppermint
MAGAZINE

PLAYSUIT

FRONT FACING

CUT 1

8F

9F

