

IN THE FOLDS

in collaboration with

Peppermint
MAGAZINE

RUFFLE SLEEVE TOP SEWING PATTERN

FEEL FREE TO HACK THIS PATTERN,
ADD TO THIS PATTERN, LOVE THIS PATTERN
AND TO MAKE IT OVER & OVER
BUT PLEASE REMEMBER THAT IT'S
FOR PERSONAL USE ONLY

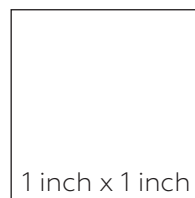
HAPPY SEWING!

©Emily Hundt

PATTERN SIZE KEY

— — — — —	SIZE A
-----	SIZE B
.....	SIZE C
- . - . - . - . - .	SIZE D
.....	SIZE E
- . - . - . - . - .	SIZE F
-----	SIZE G
.....	SIZE H
—————	SIZE I
-----	SIZE J

TEST SQUARE



5cm x 5cm

1A

2A

1A

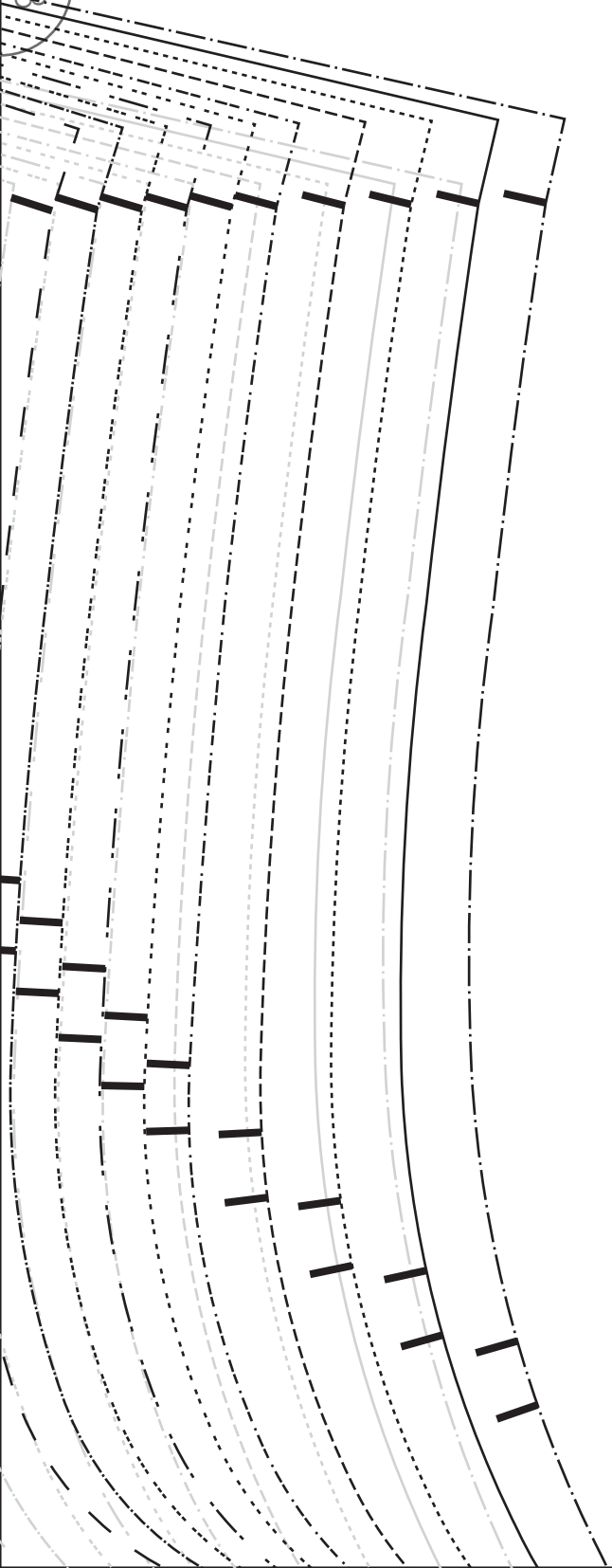
B

IN THE FOLDS

in collaboration with

2B

1B

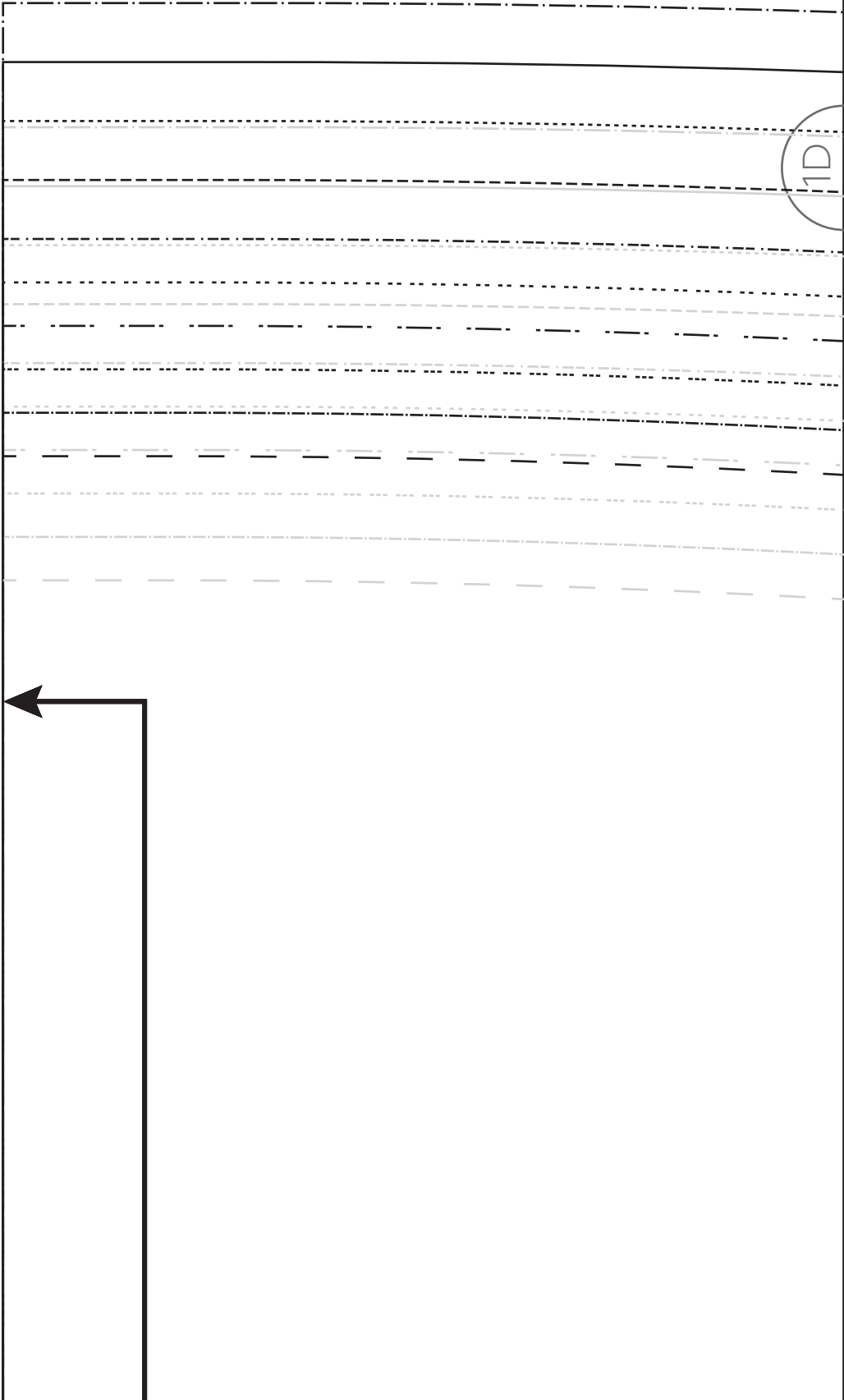


1C

2C

1C

1D



LENGTHEN / SHORTEN LINE

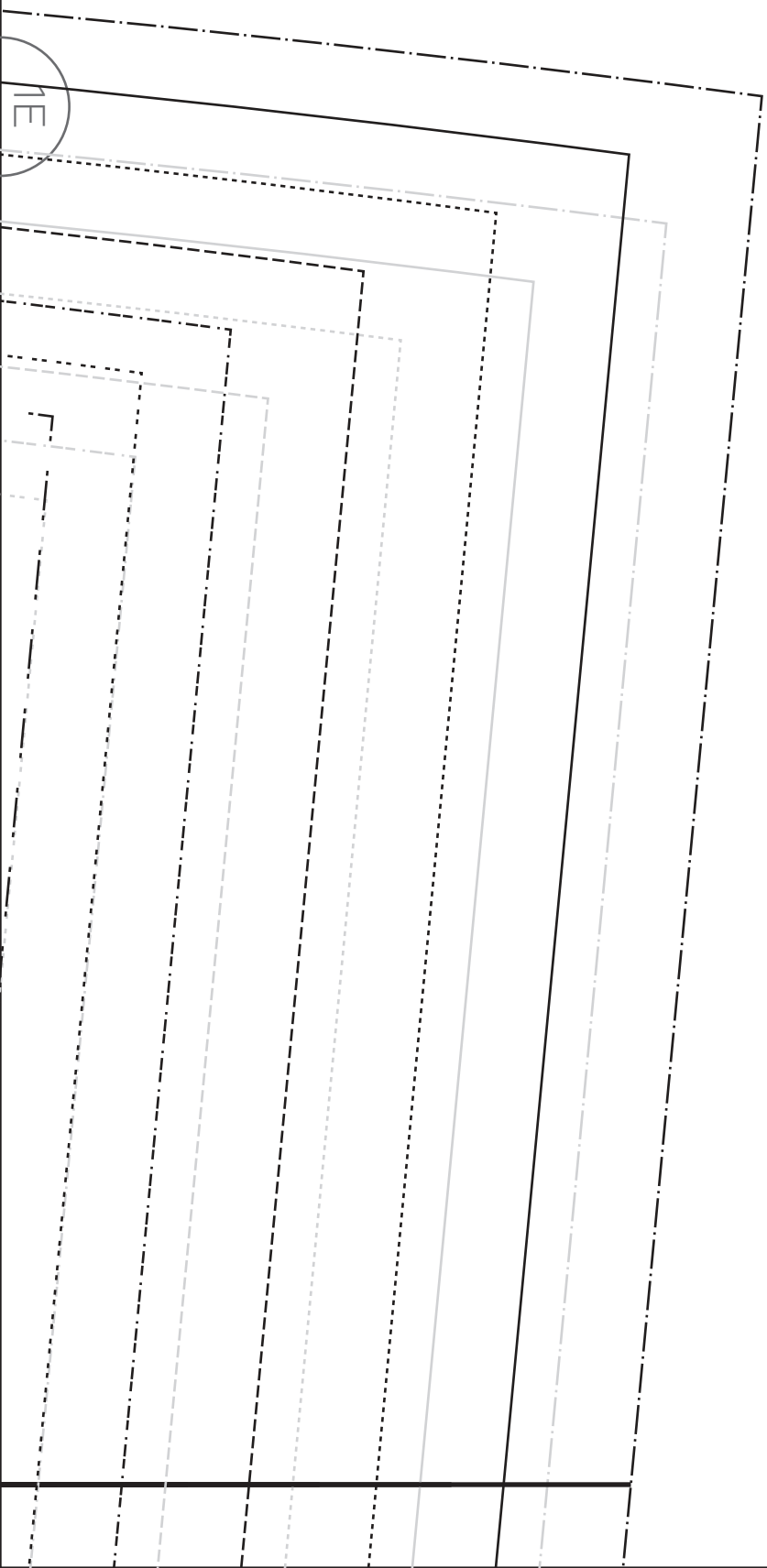
2D

1D

1E

12E

1E












2F

We're super excited to bring you these patterns in partnership with the lovely people at **The Fabric Store**. With a passion for all things sewing, they stock an incredible range of fabrics – think quality linen, silk, cotton, merino and even leather – at their Sydney, Melbourne, Brisbane and New Zealand stores, as well as a small selection online.

The Fabric Store

PATTERN SYMBOL KEY

-  NOTCH
-  DOUBLE NOTCH
-  DRILL HOLE
-  BUTTON HOLE
-  CUTTING LINE
-  STITCH LINE
-  GRAINLINE
-  PLACE PATTERN ON FOLD
-  LENGTHEN / SHORTEN LINE

PLEASE NOTE:
SEAM ALLOWANCES ARE INCLUDED
AND ARE 1.2cm (½") UNLESS
OTHERWISE STATED

SHARE YOUR MAKES



#peppermintsewandtell

Tag us
@inthefolds
@peppermintmagazine

2A

3A

4A

RUFFLE SLEEVE

BACK

CUT 1 ON FOLD

3B

2

GRAINLINE

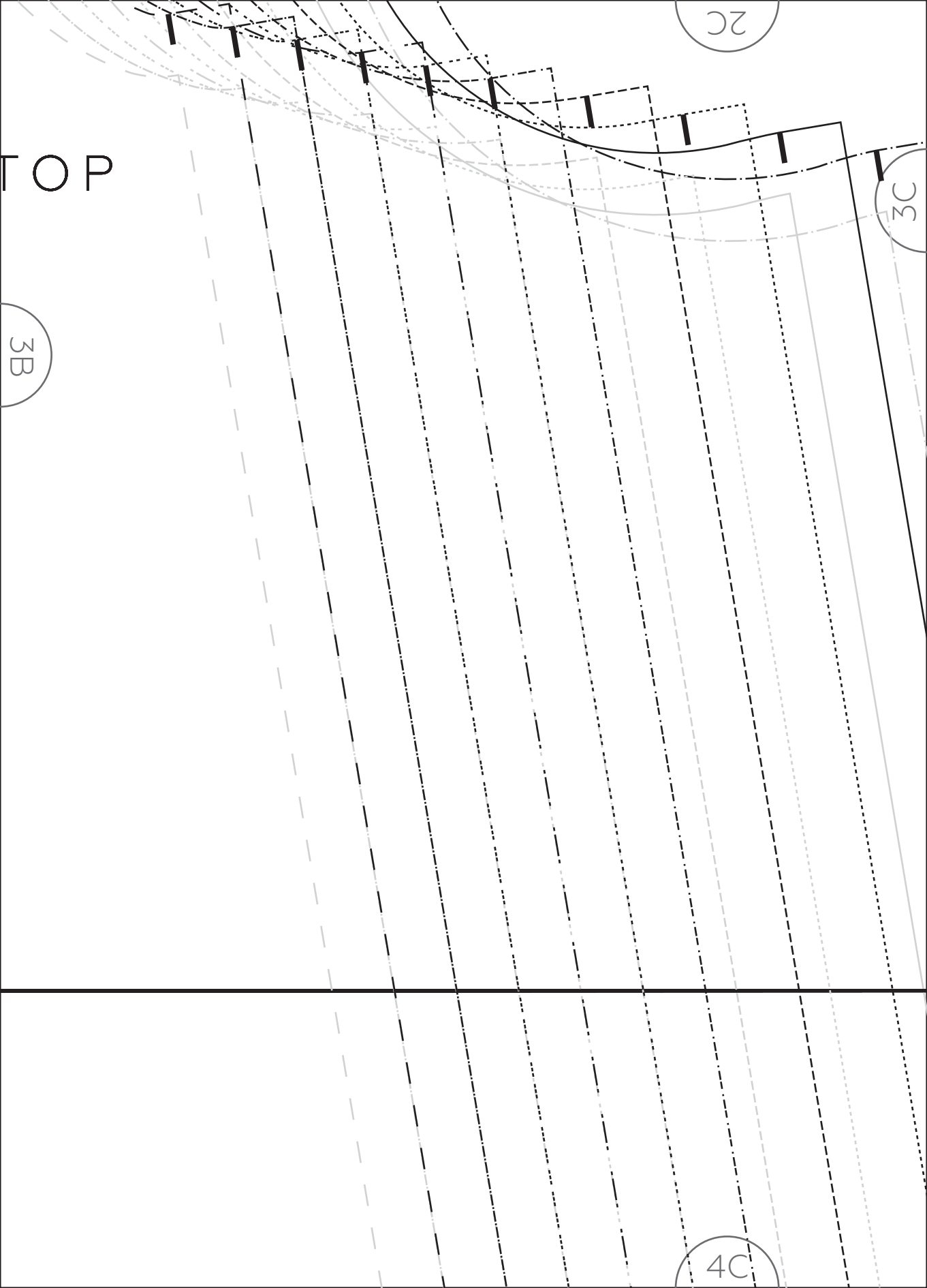
CENTRE BACK (PLACE ON FOLD)

3A

LENGTHEN / SHORTEN LINE

4B

TOP



3B

2C

3C

4C

2D

3D



ON FOLD

FLE SLEEVE TOP

ermit
MAGAZINE

aboration with

THE
DS

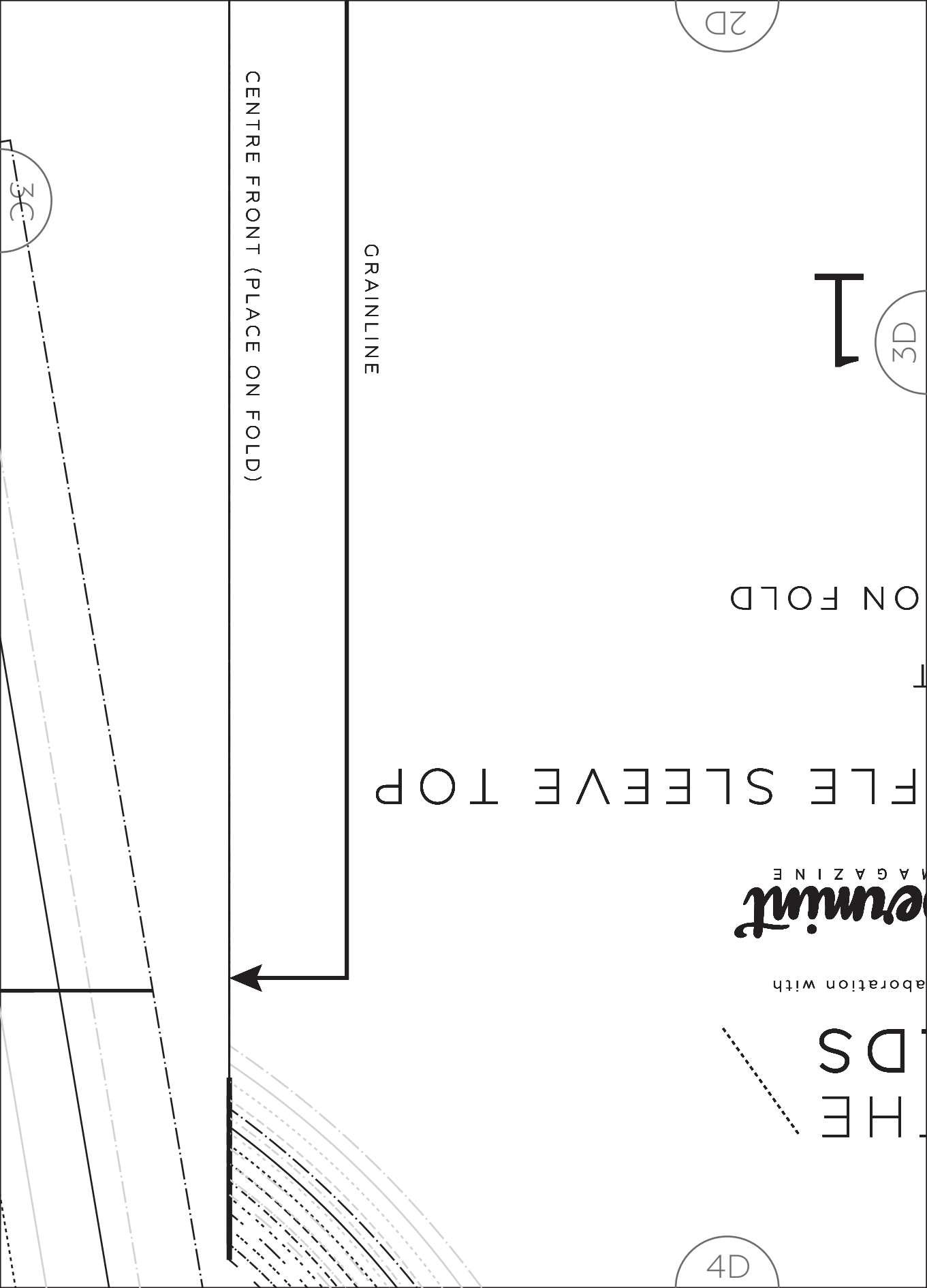
4D

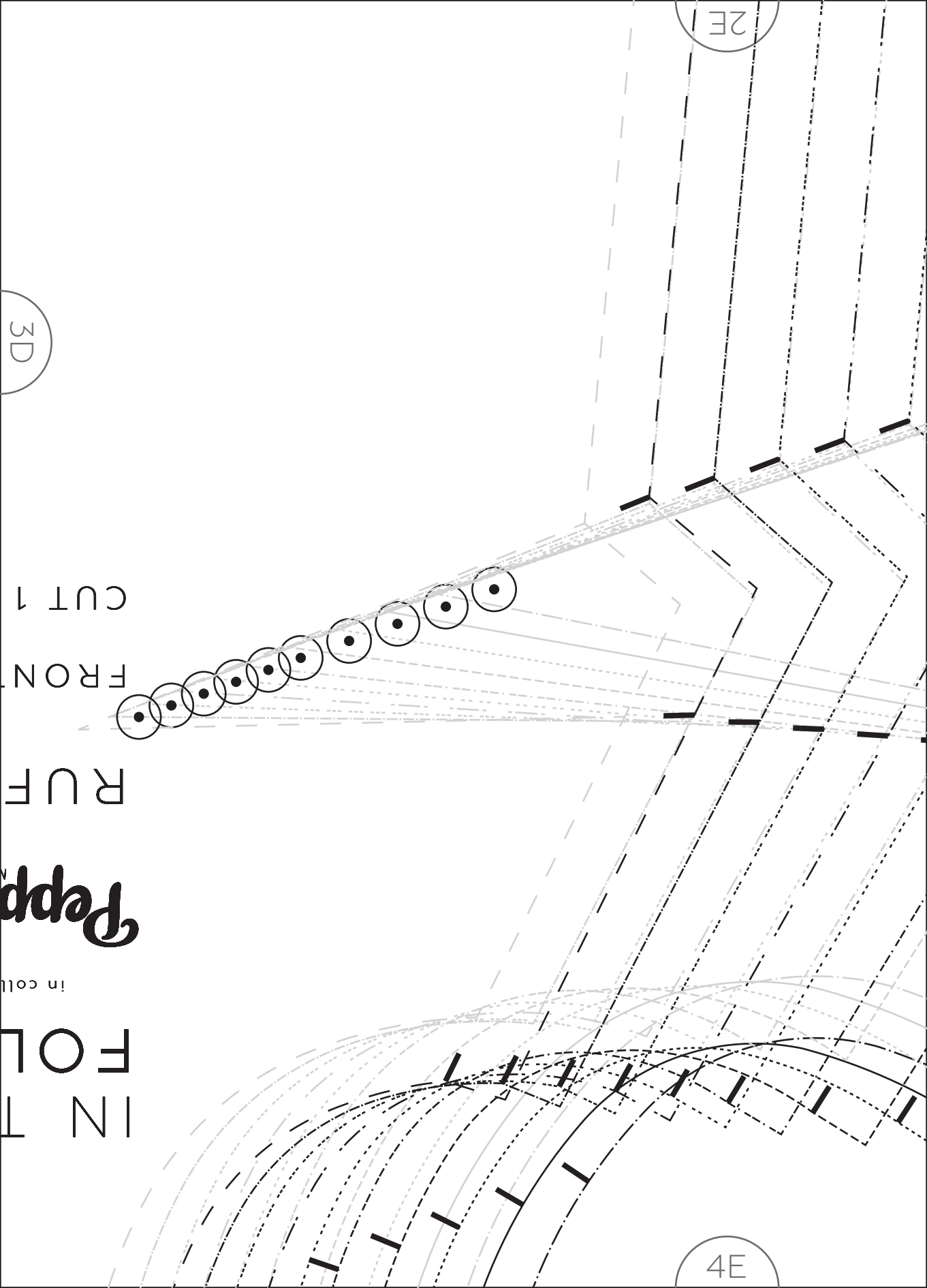
GRAINLINE

CENTRE FRONT (PLACE ON FOLD)



3C





2E

3D

CUT 1

FRONT

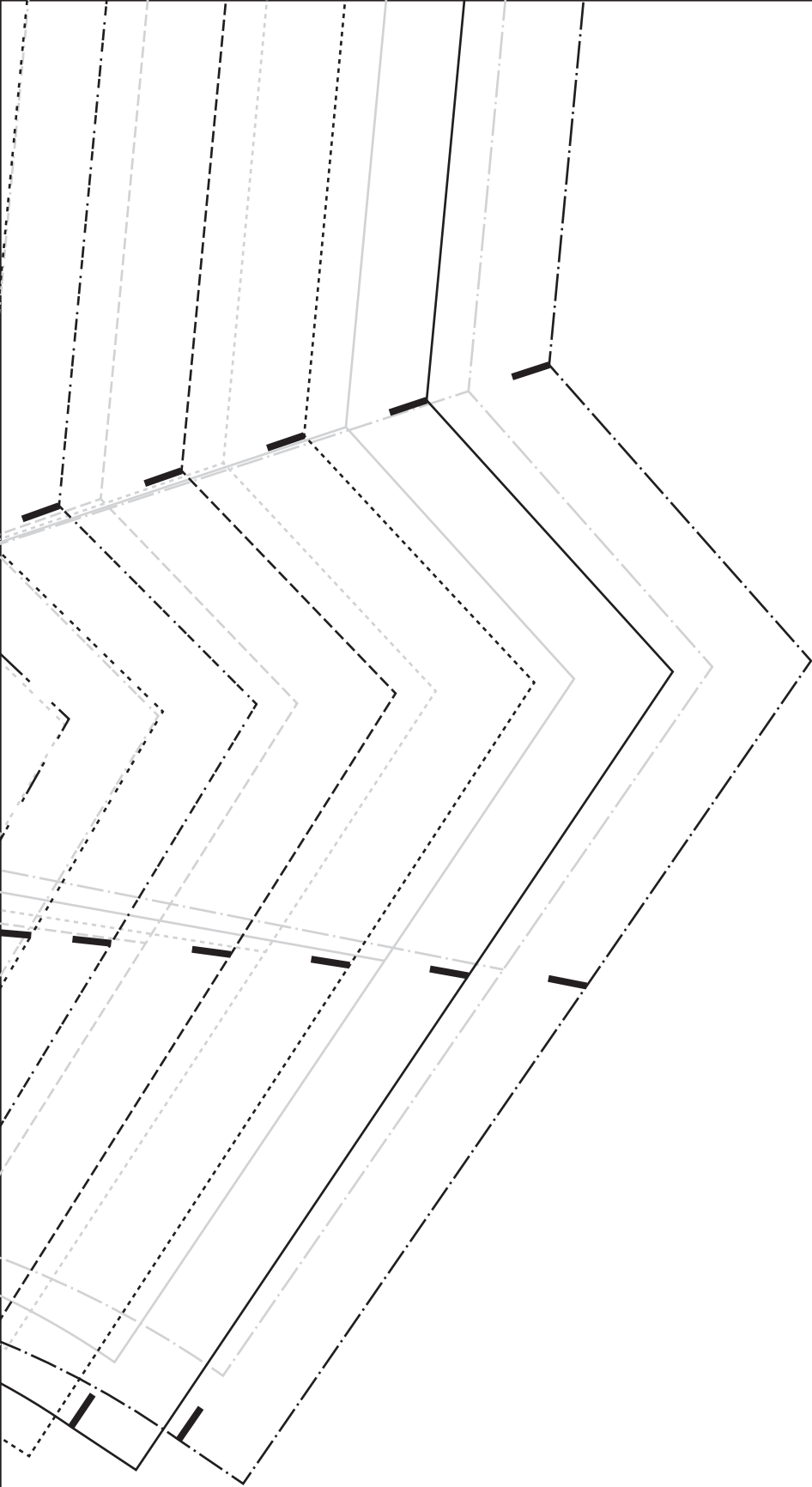
RUFF

Peppermint

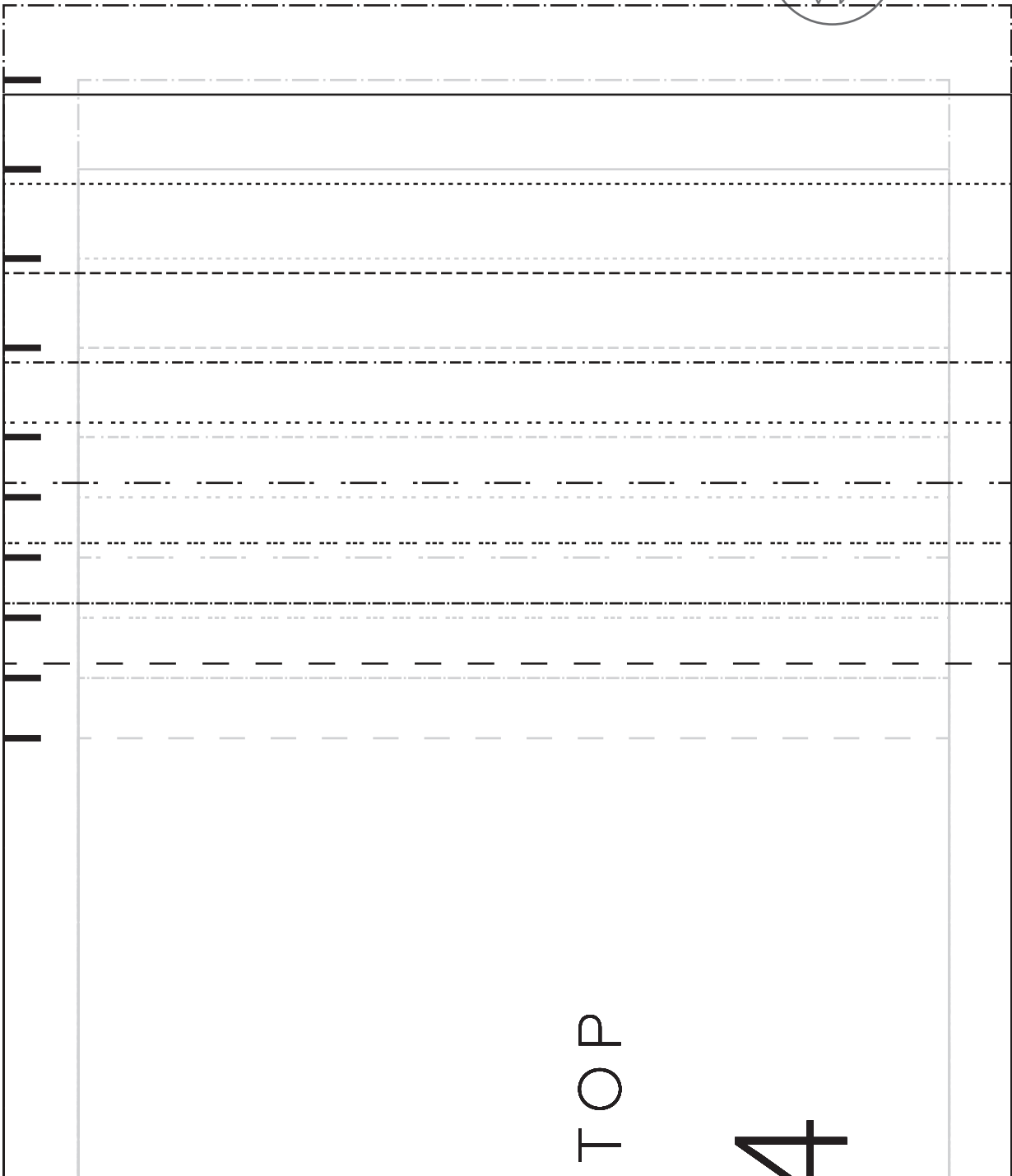
in coll

IN T FOL

4E



A B C D E F G H I J



SLEEVE TOP

4

6A

4A

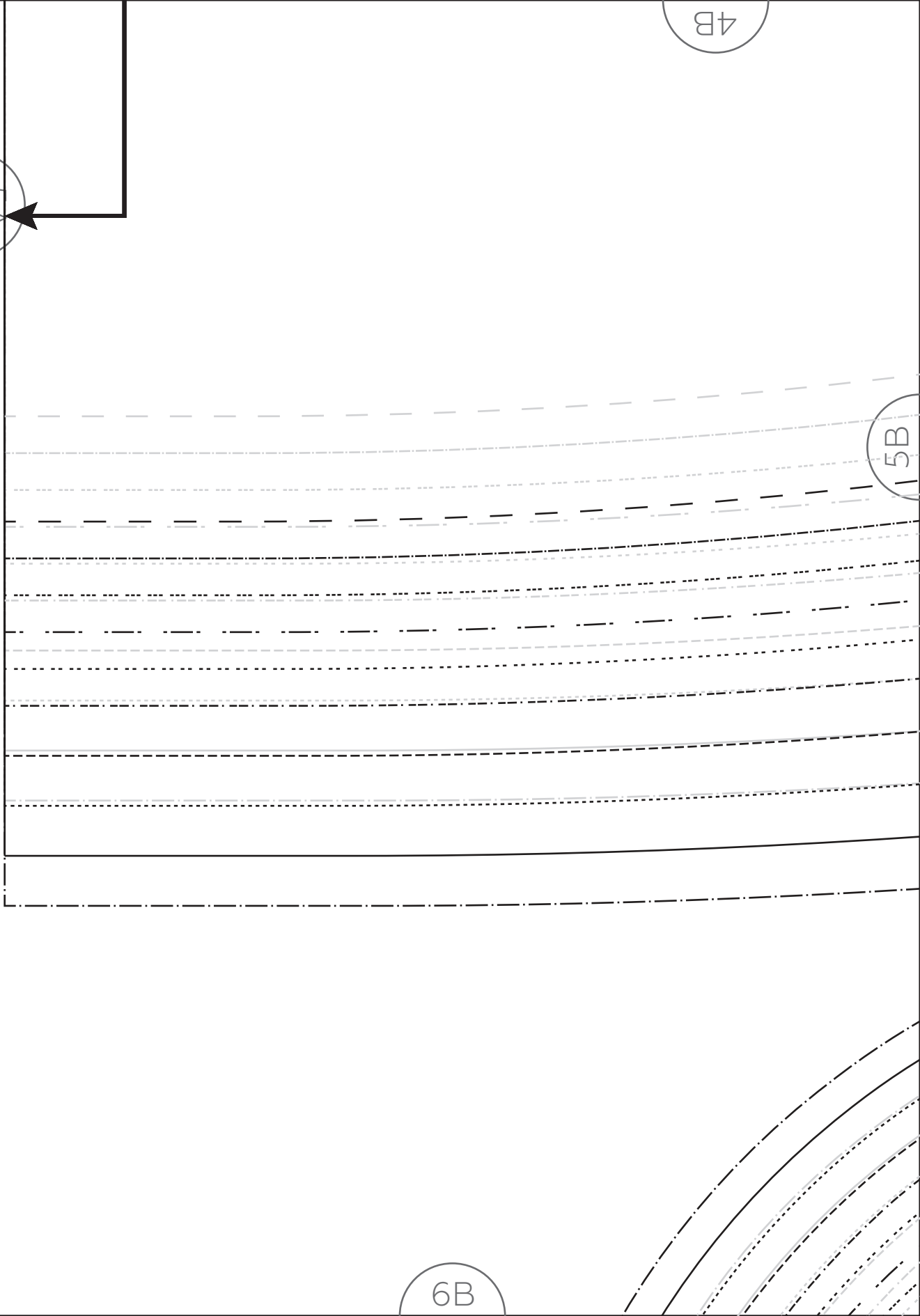
5A

4B

5B

6B

5A

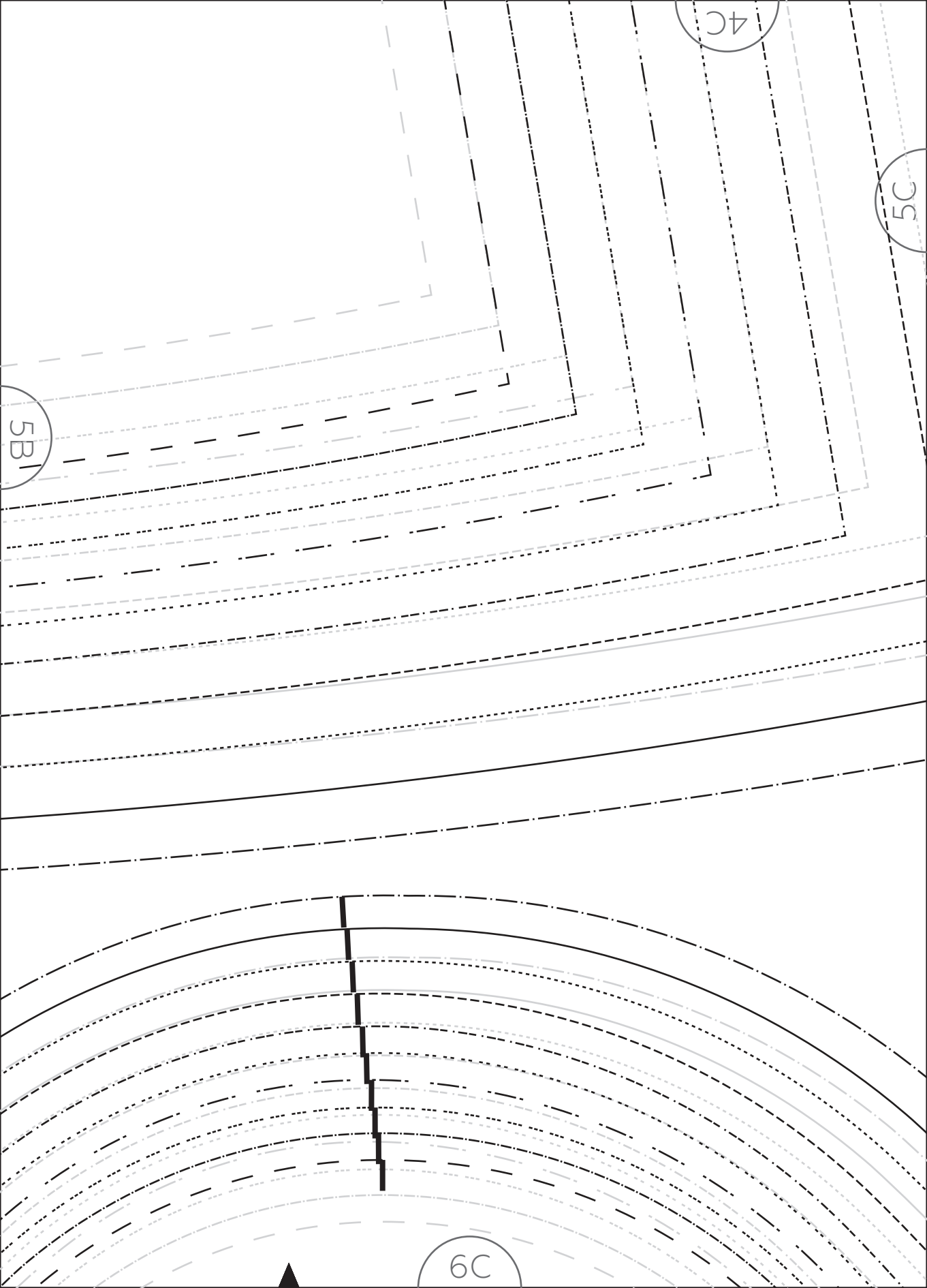


4C

5C

5B1

6C

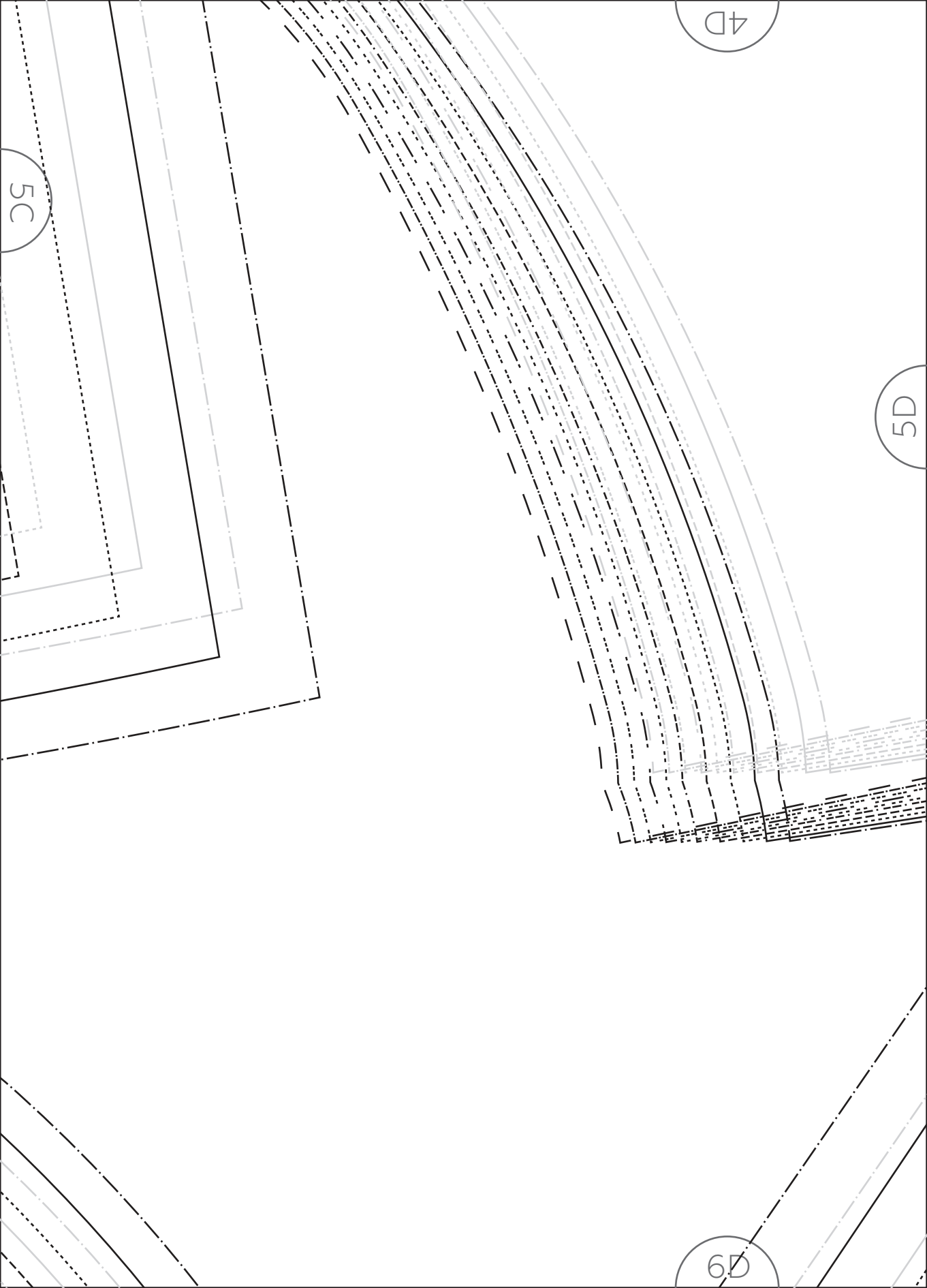


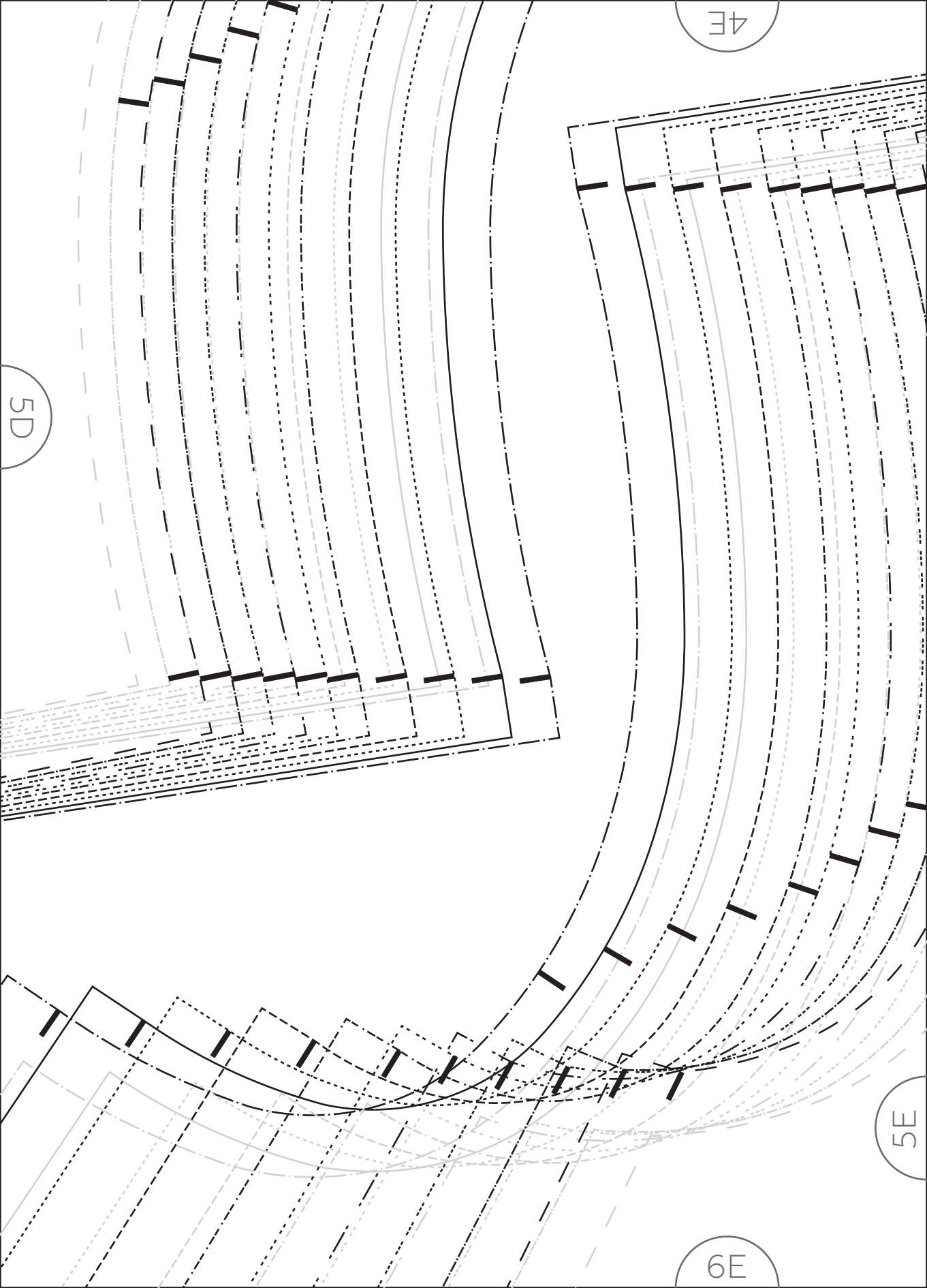
4D

5D

6D

5C





4F

IN THE FOLDS

in collaboration with

Peppermint
MAGAZINE

RUFFLE SLEEVE TOP

FRONT FACING

CUT 1 ON FOLD

5E

6F

INLINE

FRONT
(ON FOLD)

IN THE
FOLDS

in collaboration with

Peppermint
MAGAZINE

RUFFLE

RUFFLE

CUT 1 PAIR

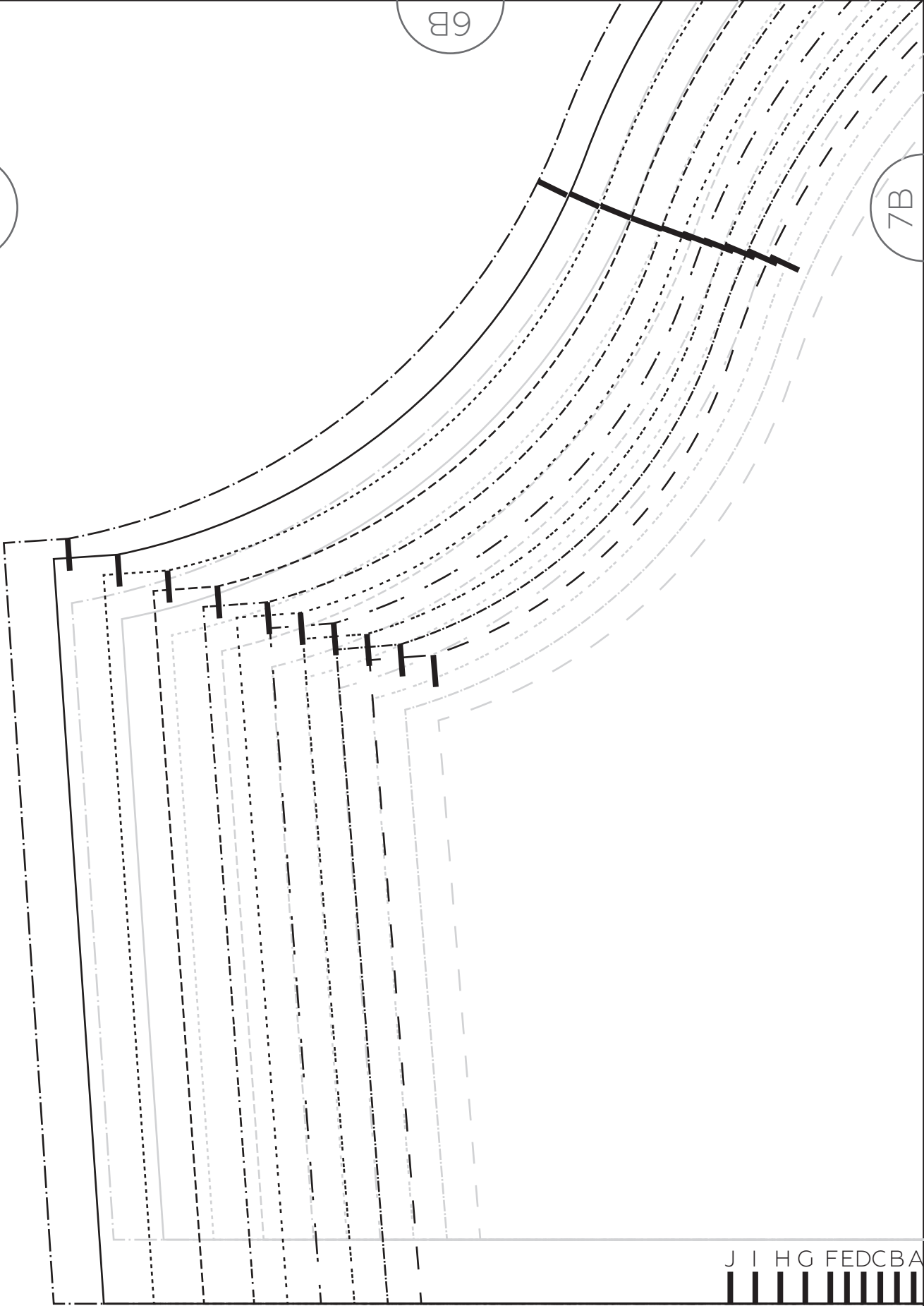
GRAINLINE



6B

7B

7A



J I H G F E D C B A



39

7B

GRAINLINE

IN THE FOLDS

in collaboration with

Peppermint
MAGAZINE

RUFFLE SLEEVE

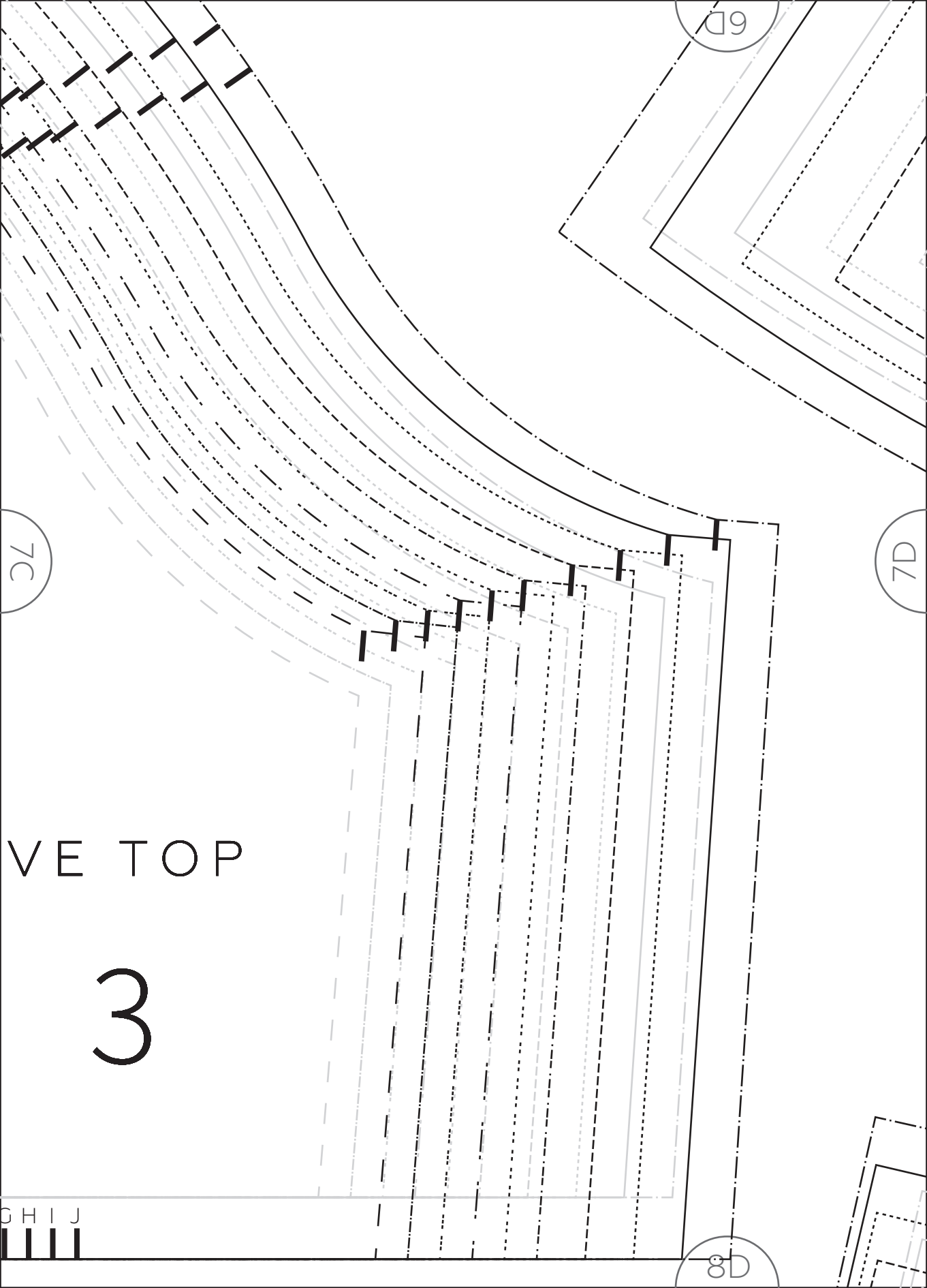
SLEEVE

CUT 1 PAIR

7C

ABCDE F





6D

7C

7D

VE TOP

3

G H I J

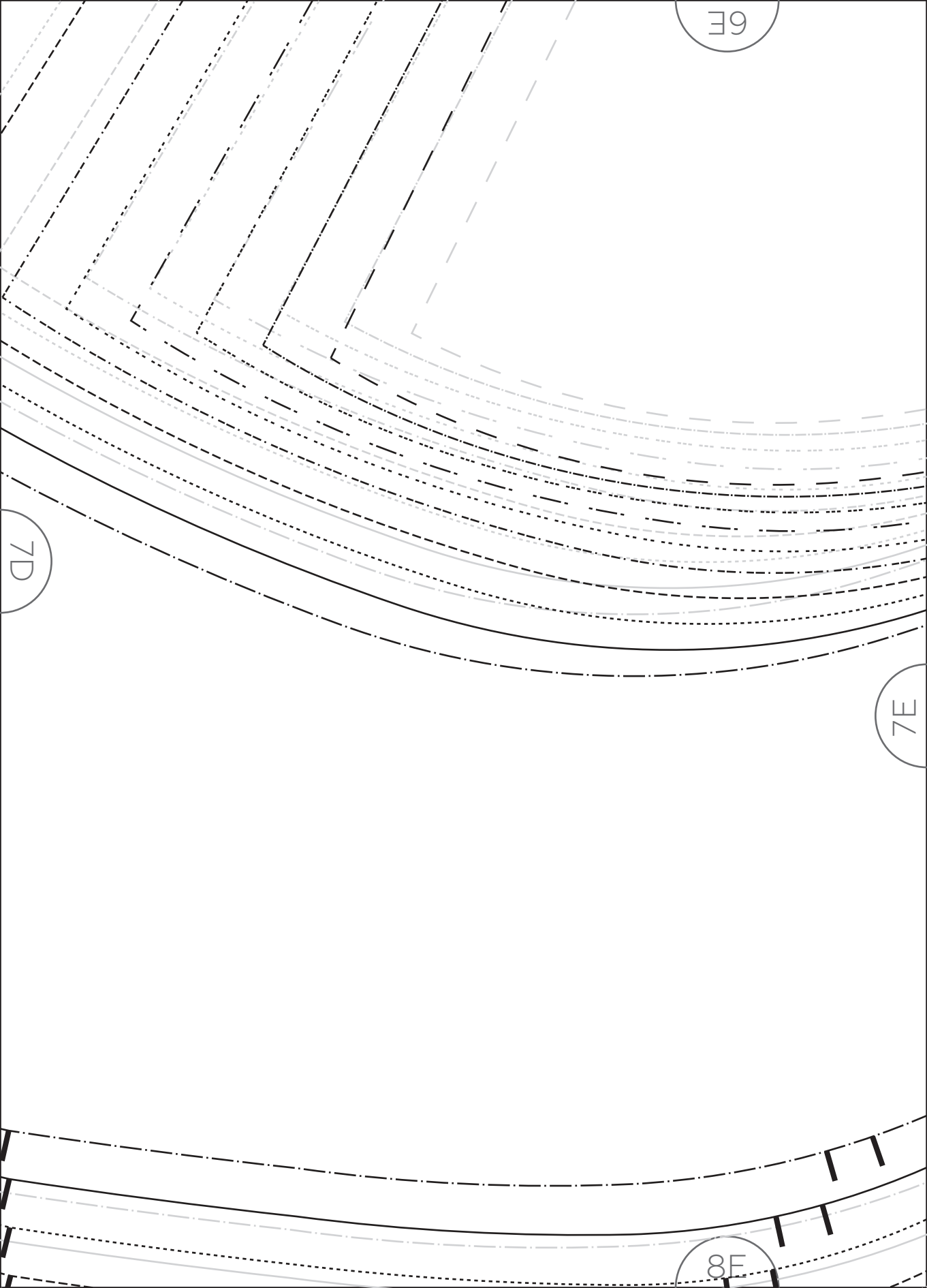
8D

6E

7D

7E

8E



5

6F

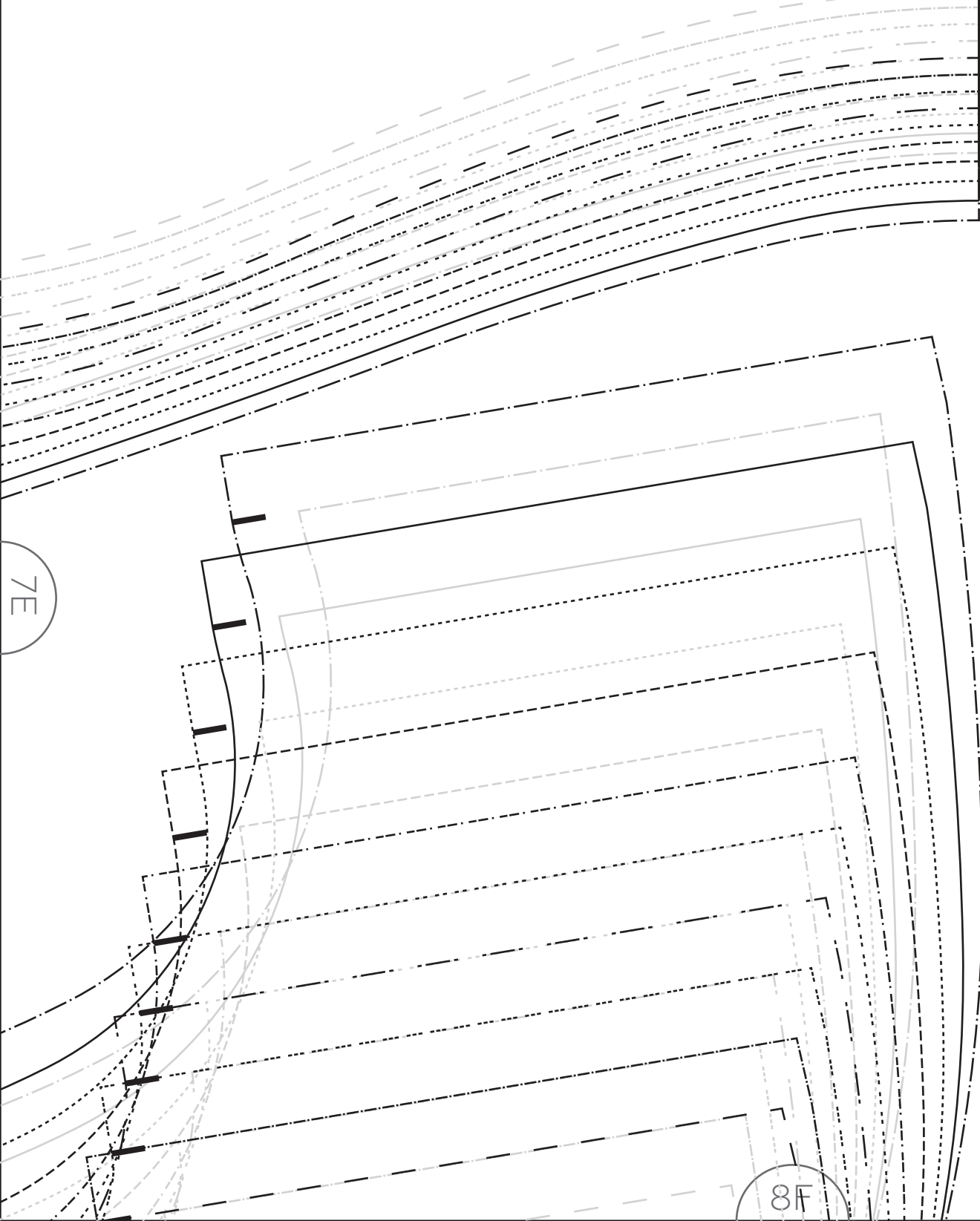
GRA

CENTRE
(PLACE)



7E

8F

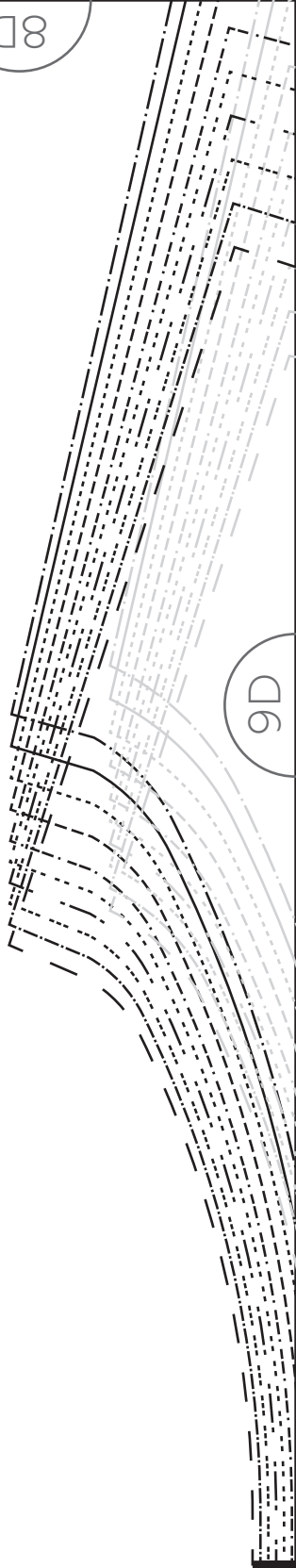


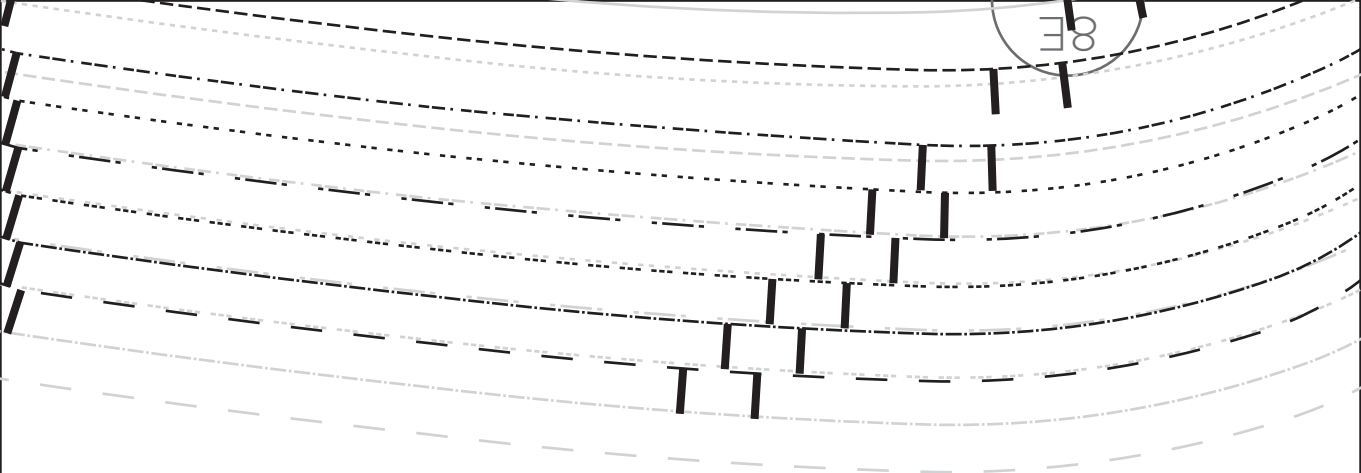
J I H G F E D C B A

Handwriting practice area with 10 rows. Each row is bounded by a solid top line, a dashed midline, and a solid bottom line. The letters J, I, H, G, F, E, D, C, B, and A are printed at the beginning of each row, respectively, in a vertical column on the left side.

8D

9D





9F

9D

9E

IN THE FOLDS

in collaboration with

GRAINLINE



CENTRE BACK (PLACE ON FO

RUFFLE SLEEVE TOP

BACK FACING

CUT 1 ON FOLD

6

LD)



100