

1a

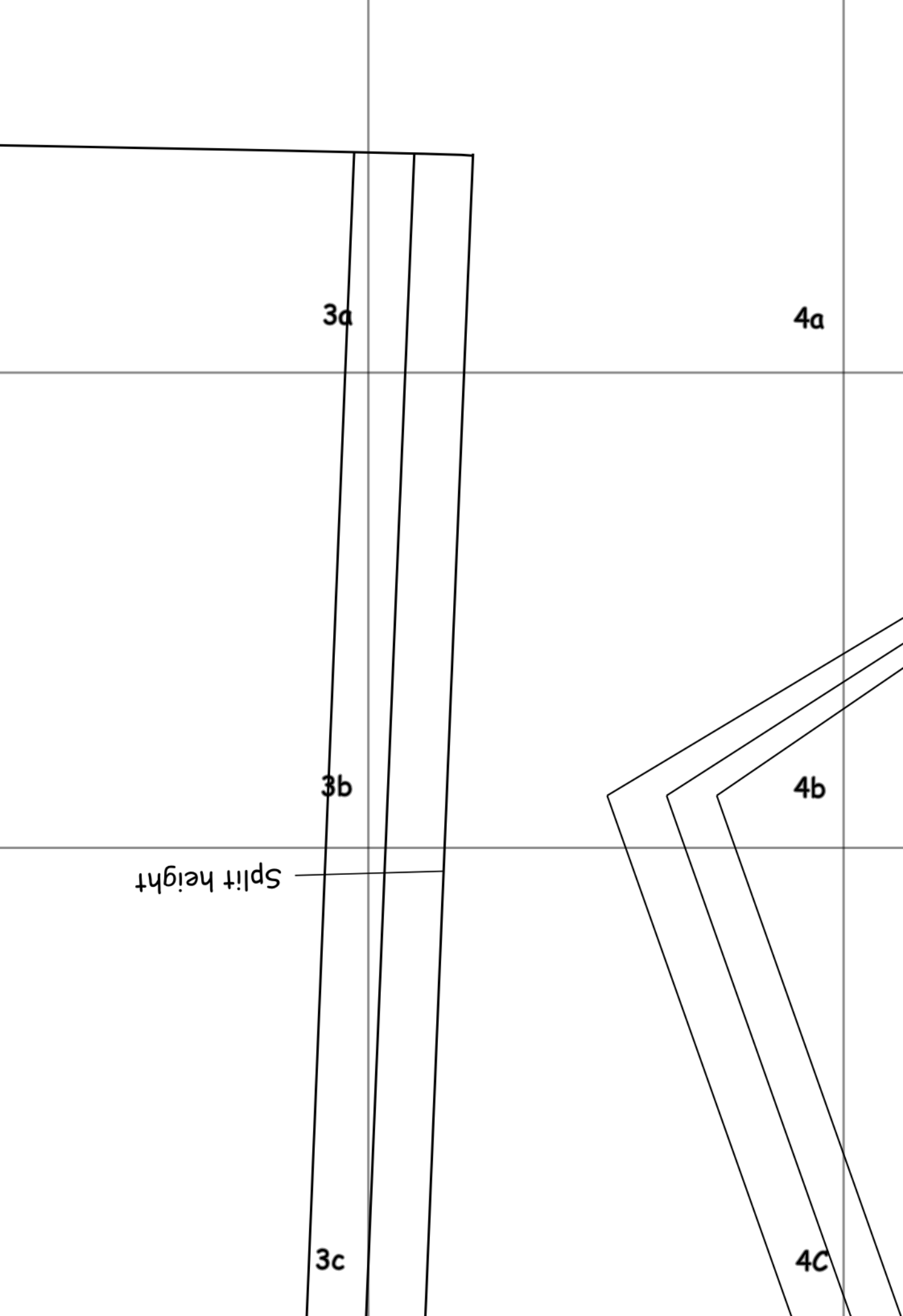
2a

1b

2b

1c

2c



3a

4a

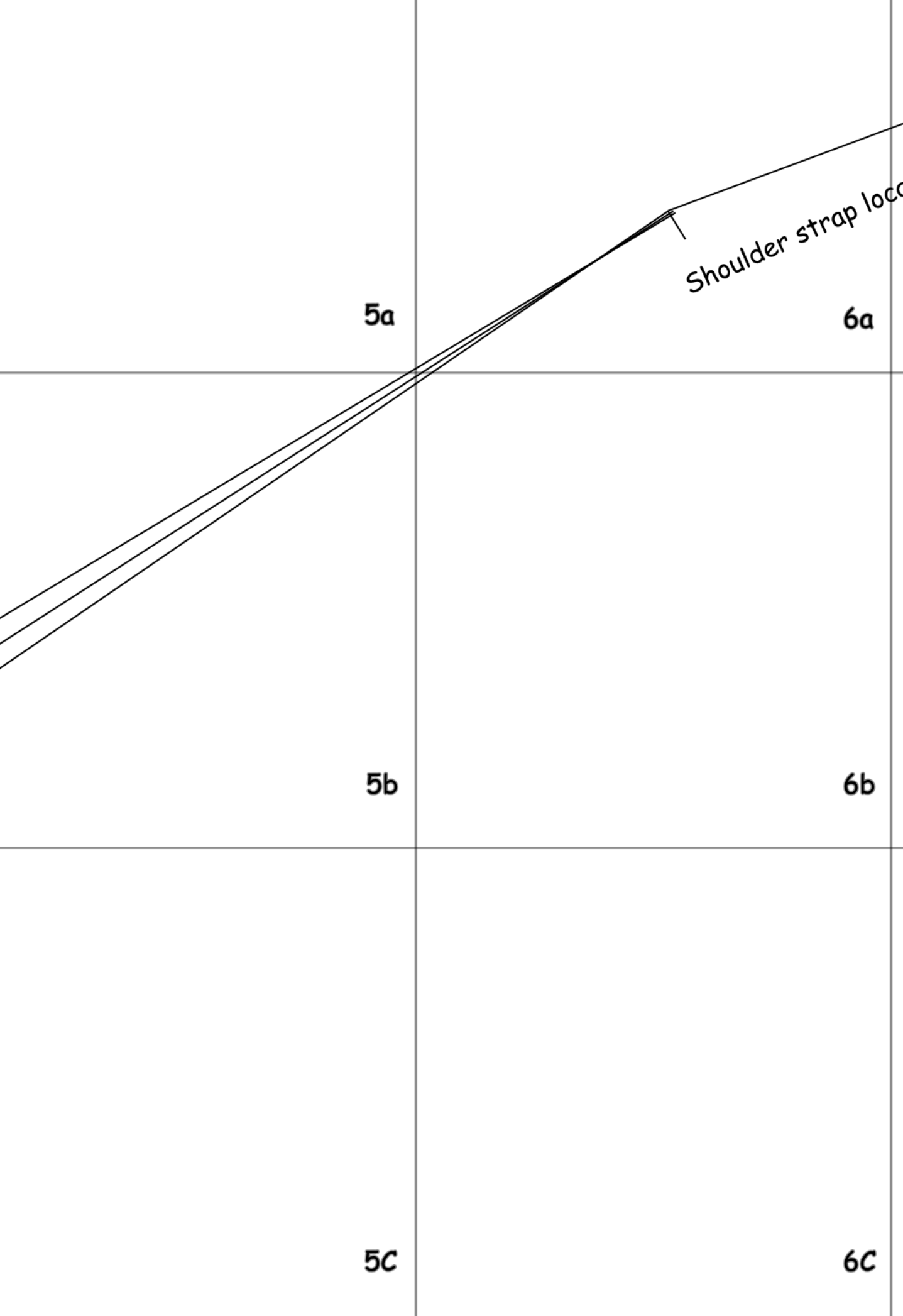
3b

4b

Split height

3c

4c



ation

7a

7b

7c

st one on fold

1D

2D

1E

2E

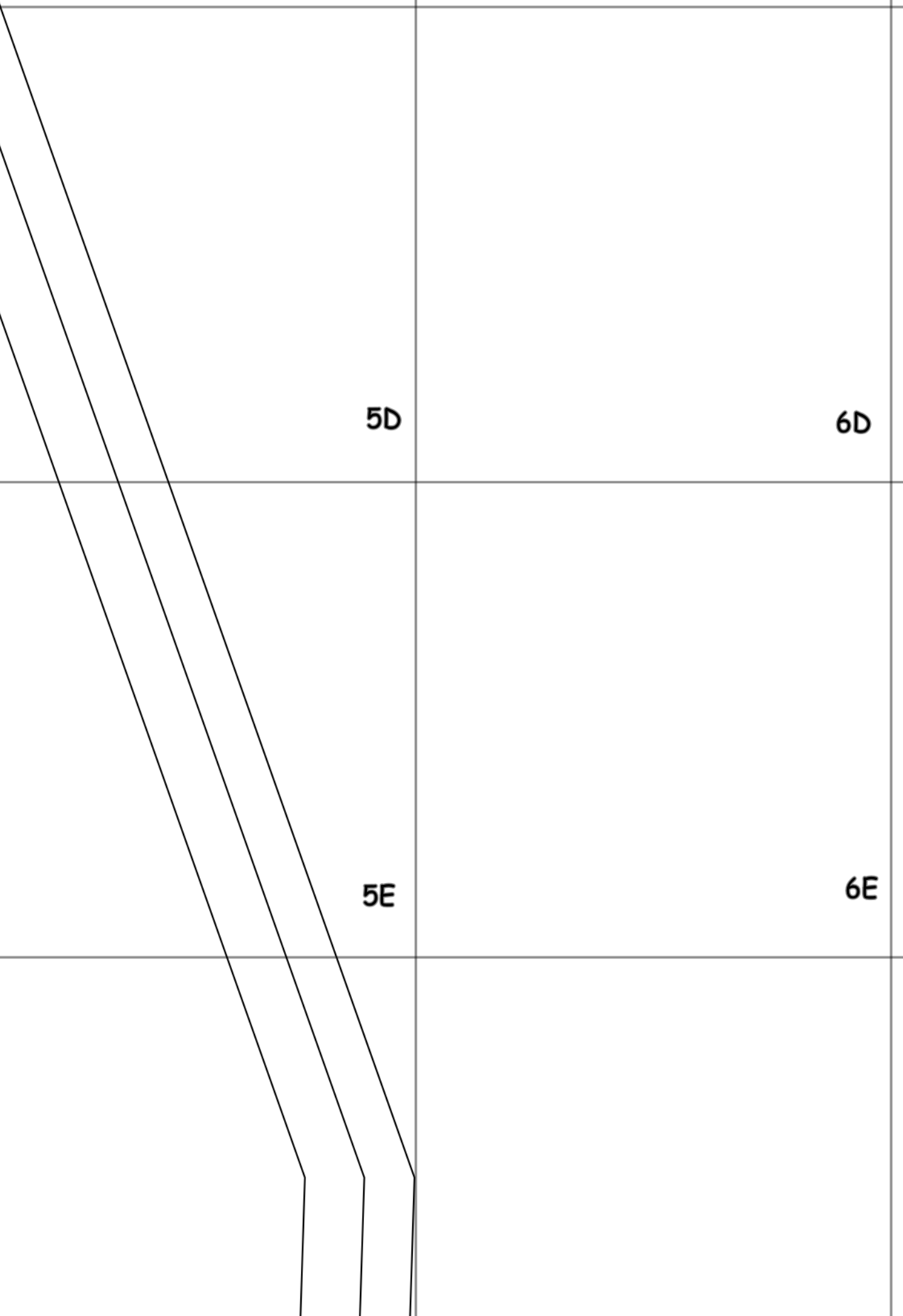
Press Cut one on fold

3D

4D

3E

4E



5D

6D

5E

6E

7D

Front dress cu

7E

Back o

1f

2f

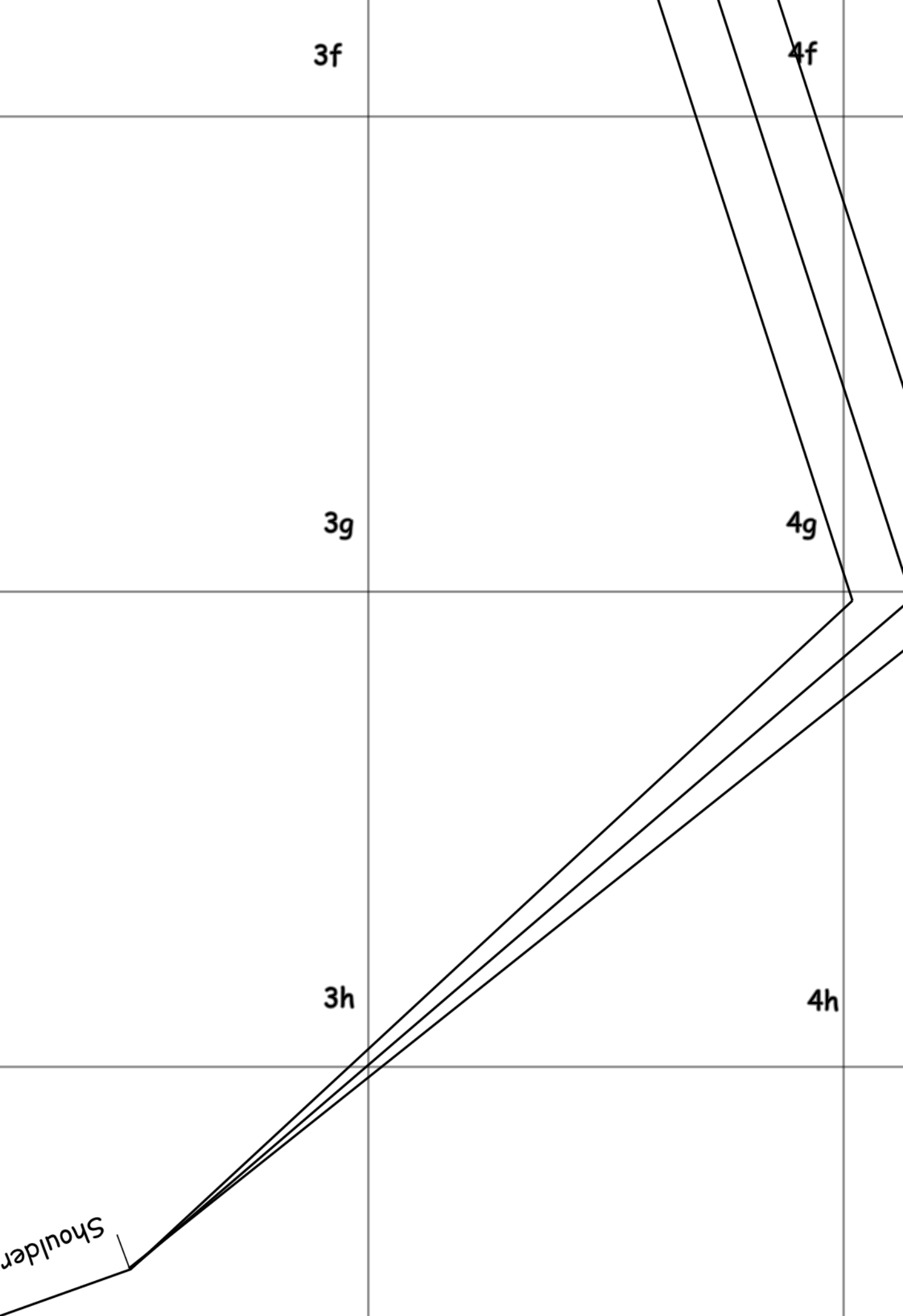
1g

2g

1h

2h

strap locat



5f

6f

5g

Split height.
Can be raised or lowered
according to preference

6g

5h

6h

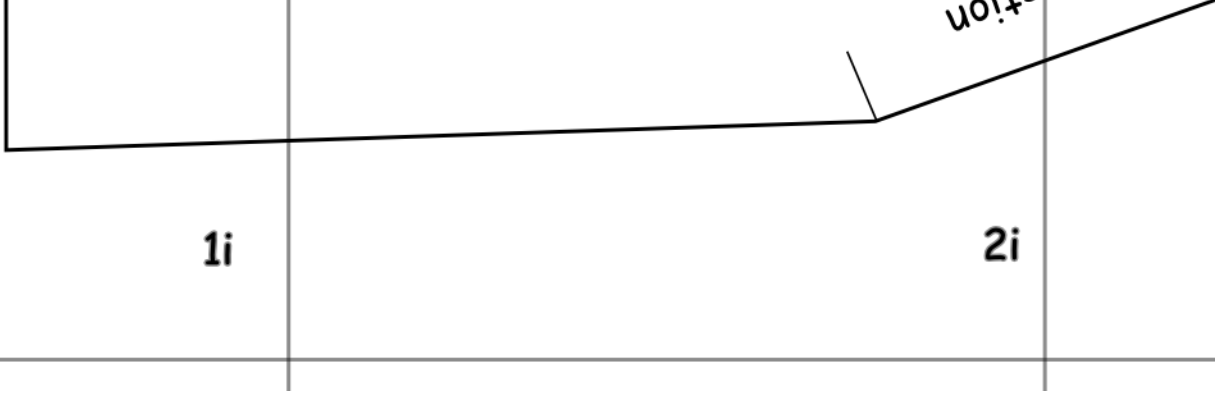
Skirt length co

7f

7g

7h

can be extended as required.



3i

4i

5i

6i



$7i$